

# H: VENTILATION EQUIPMENT

## S.S. "TITANIC"

*Version 0.1*  
© Oskari Syynimaa 2015

1. Suction fans
2. Delivery fans
3. Passive vents





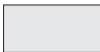
# 1. SUCTION FANS

## S.S. "TITANIC"

*Version 0.1*

© Oskari Syynimaa 2015

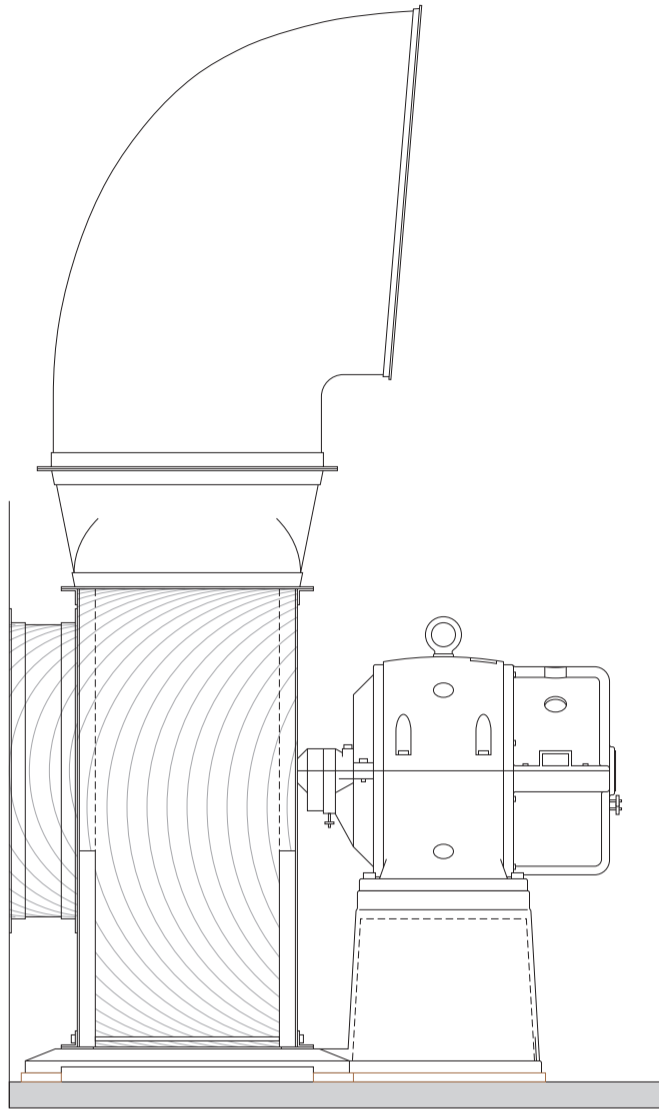
### COLOR EXPLANATIONS

-  *Metal structure*
-  *Wooden structure*
-  *Part of electrical system*
-  *Shape lines*
-  *Cement*

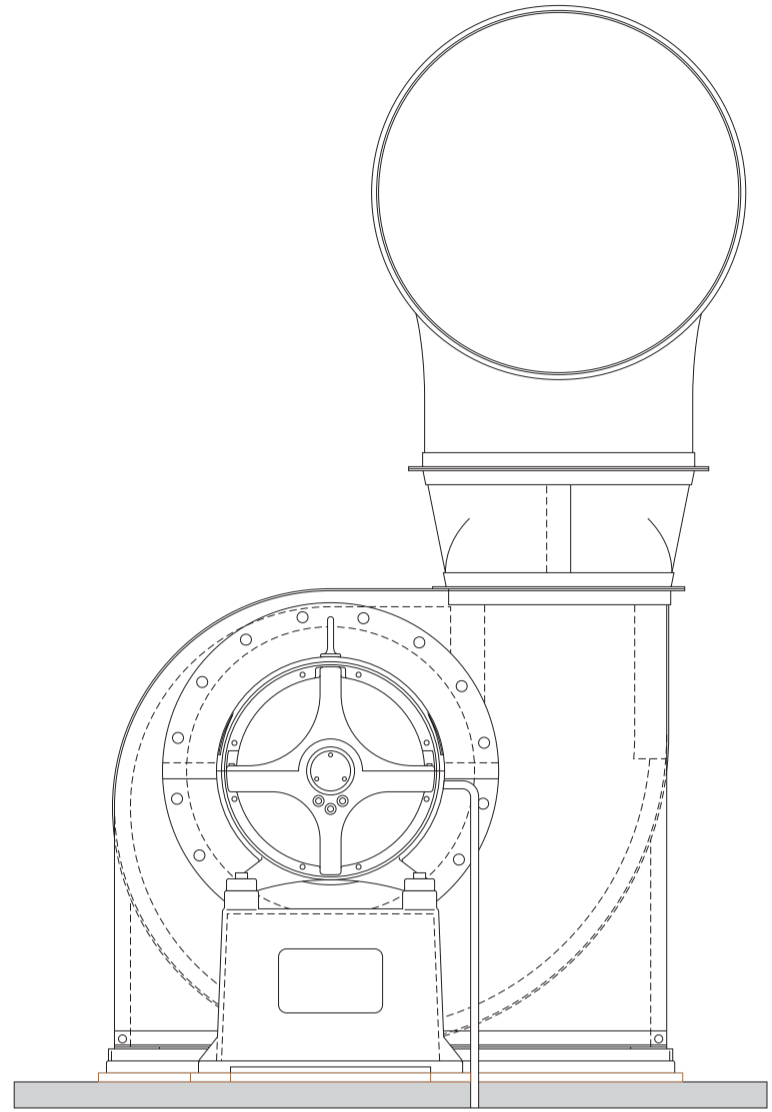
30" SIROCCO FAN, No H1

S.S. "TITANIC"

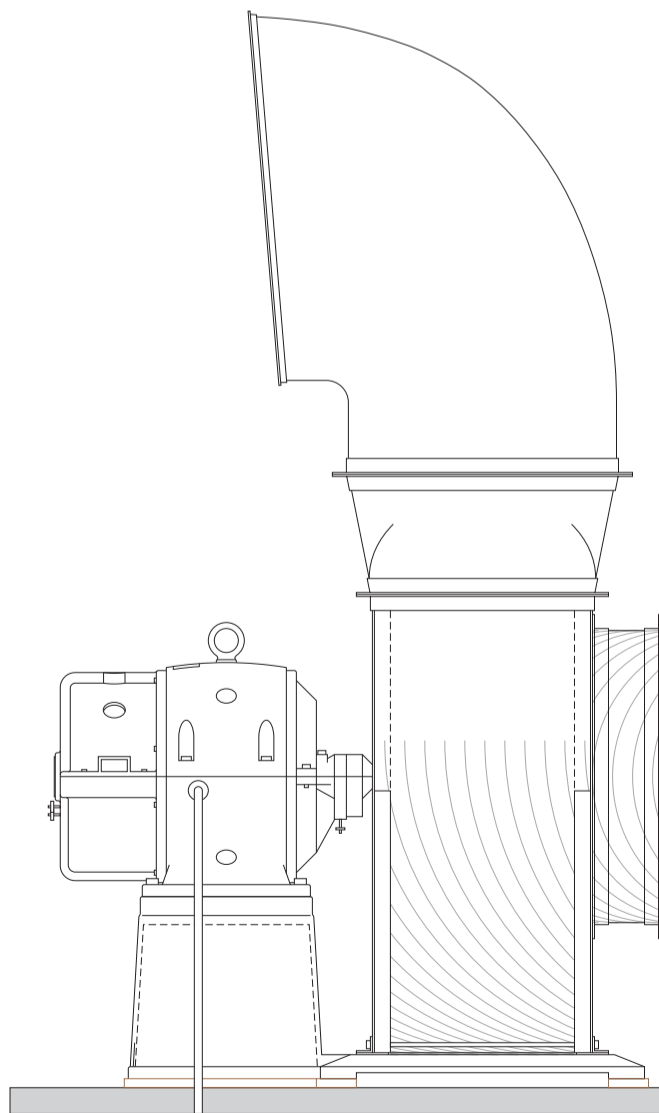
Scale 1:24



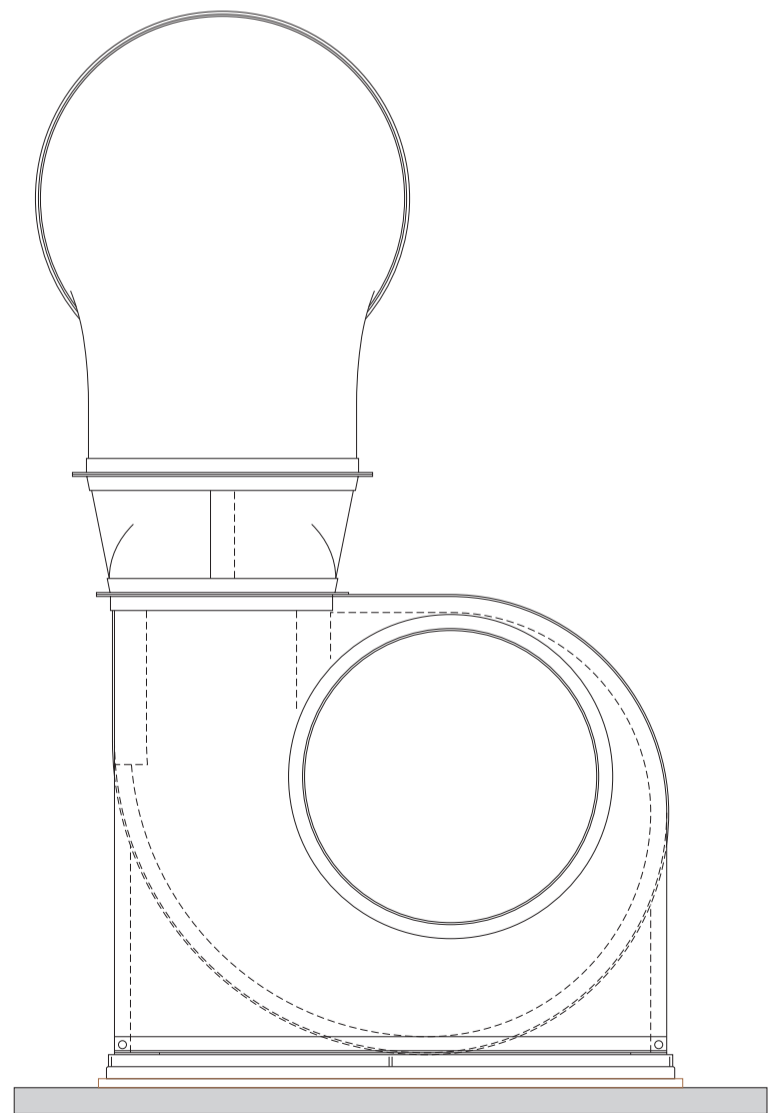
*Port*



*Aft*



*Starboard*

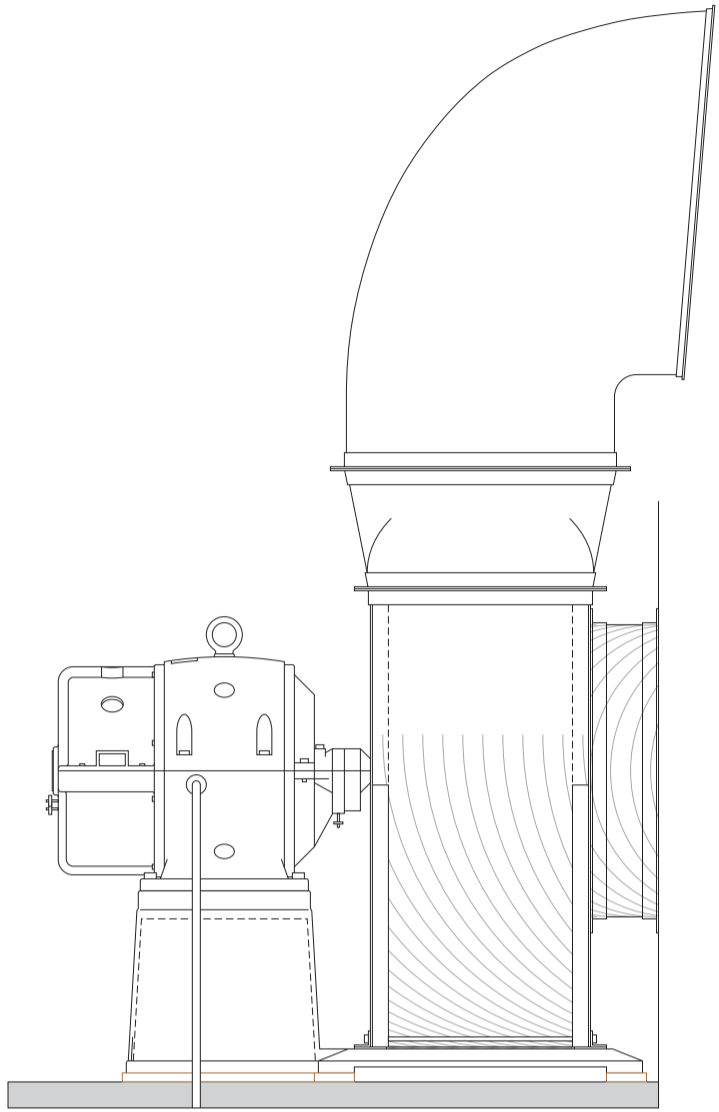


*Forward*

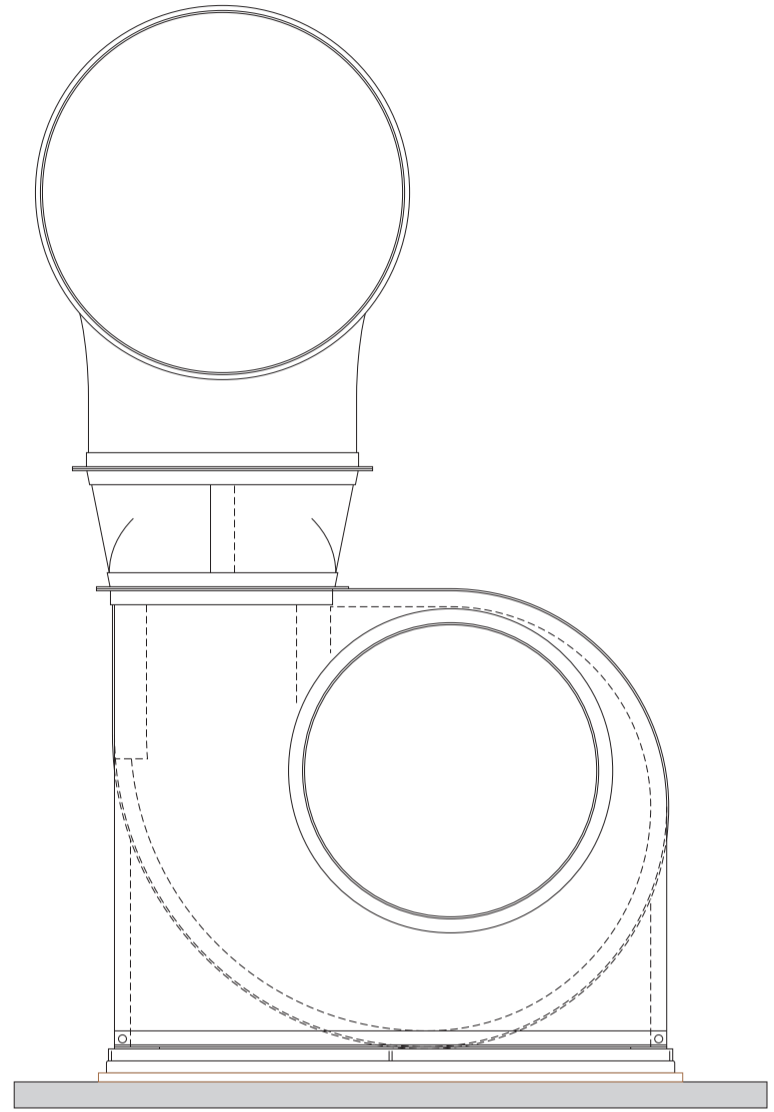
# 30" SIROCCO FAN, No H2

S.S. "TITANIC"

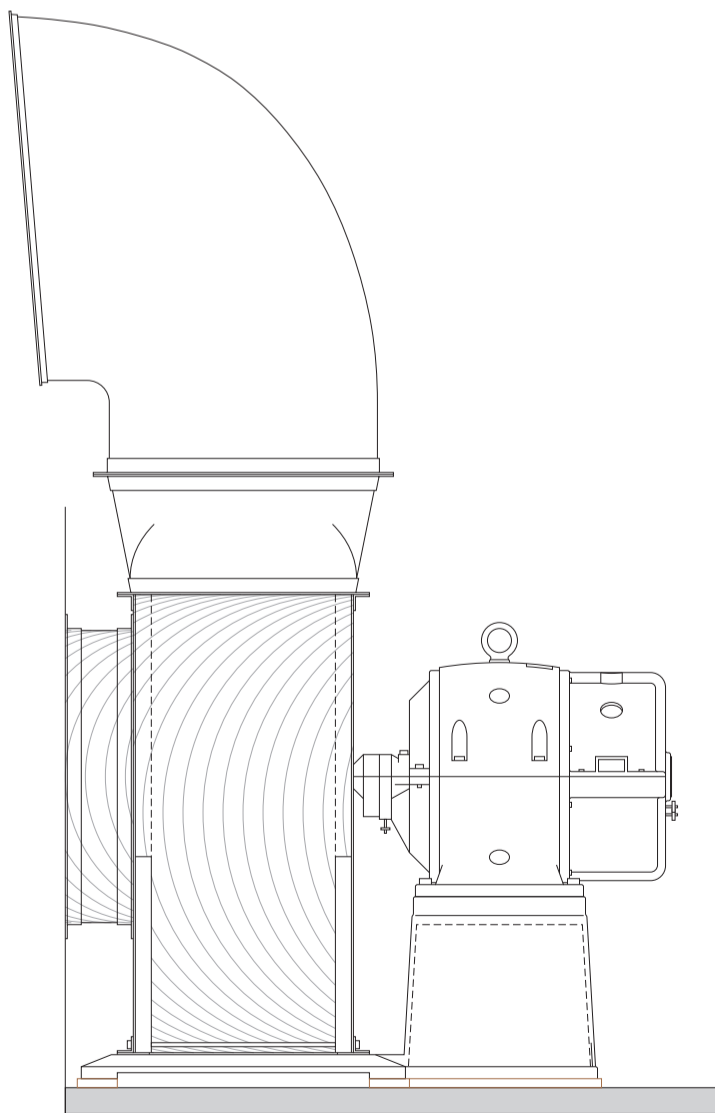
Scale 1:24



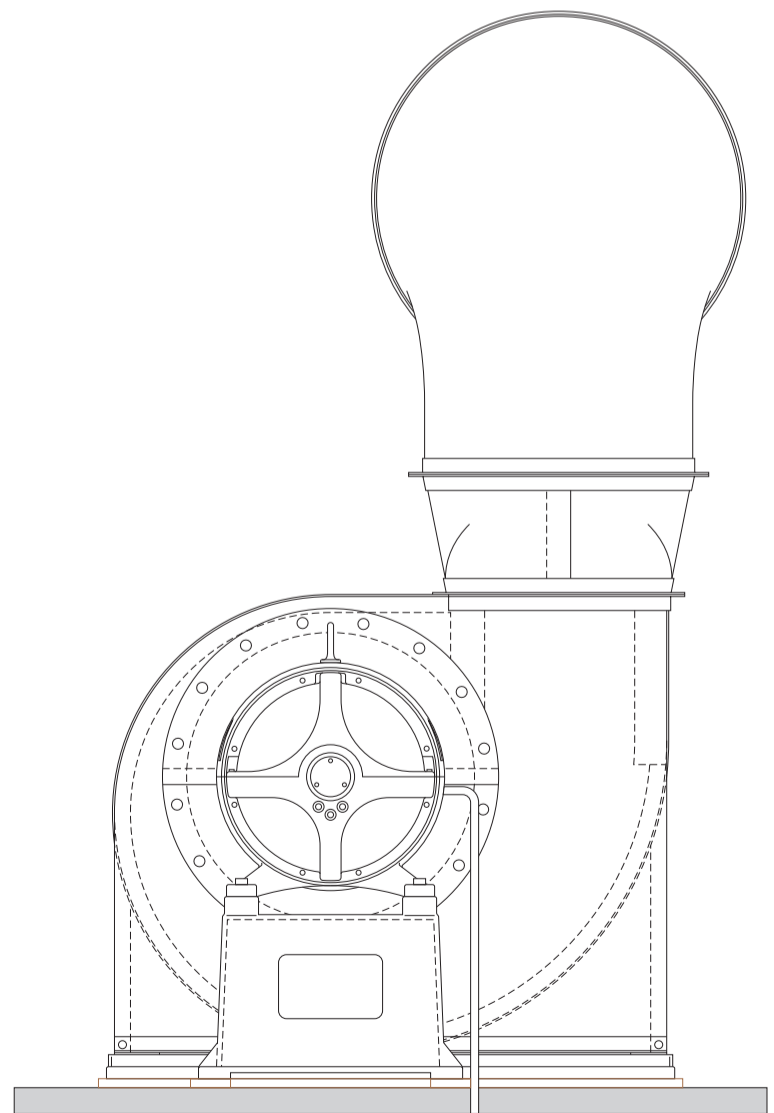
*Port*



*Aft*



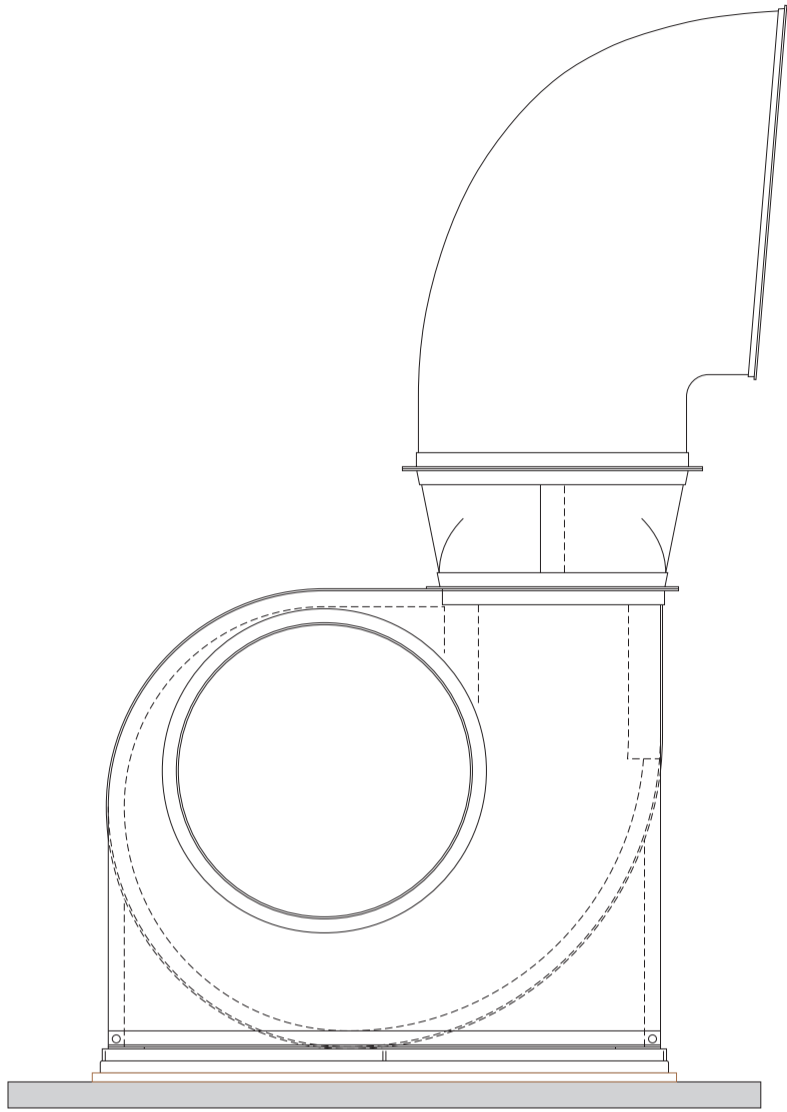
*Starboard*



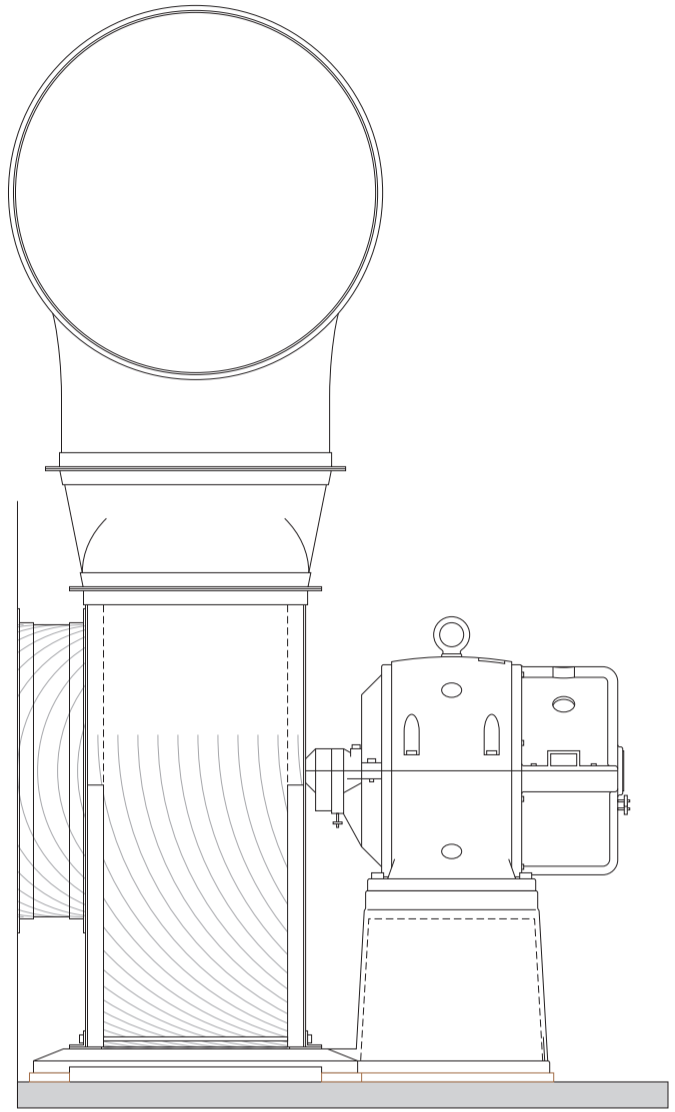
*Forward*

30" SIROCCO FAN, No H3 & H9  
S.S. "TITANIC"

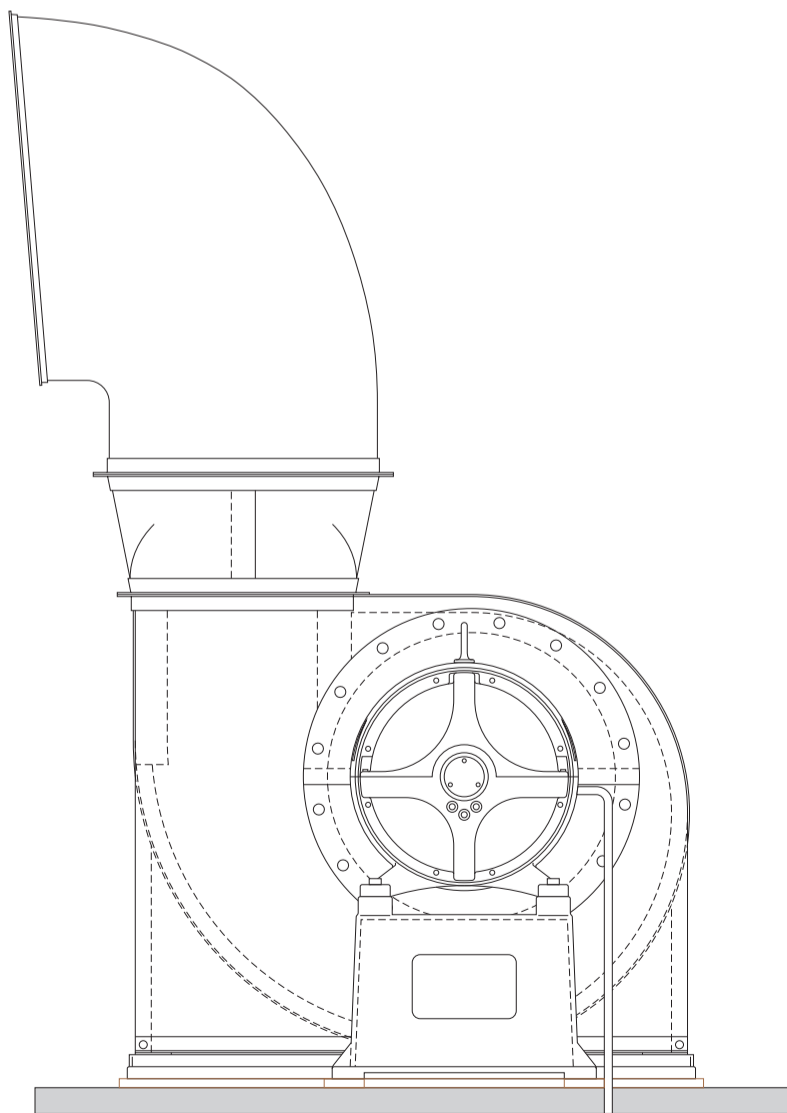
Scale 1:24



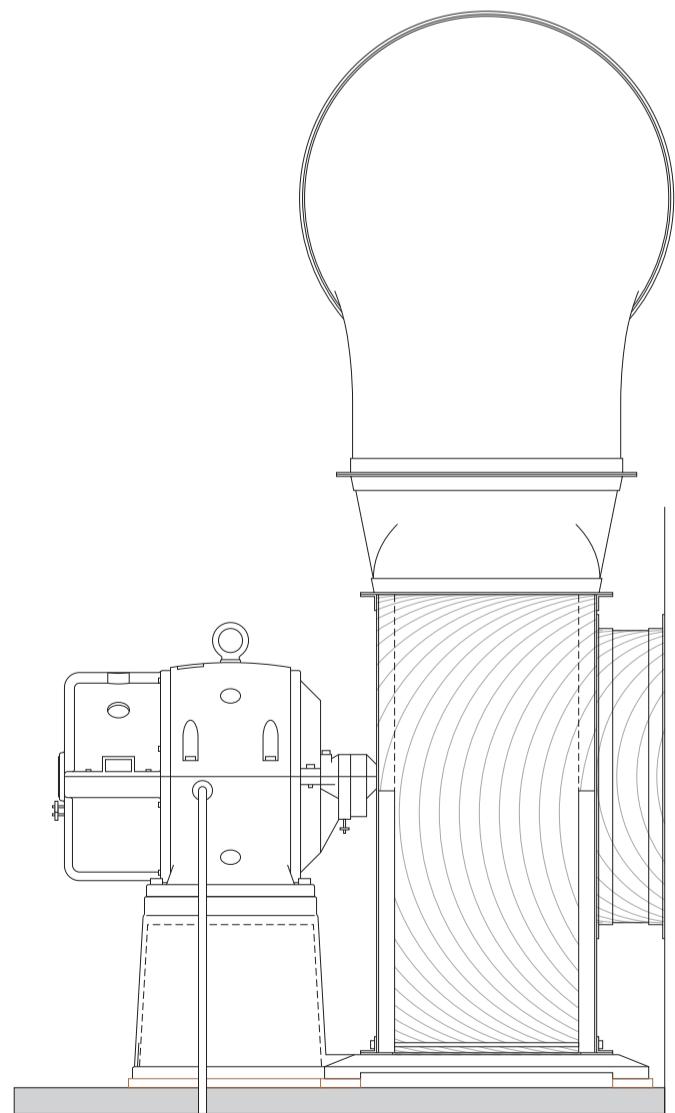
*Port*



*Aft*



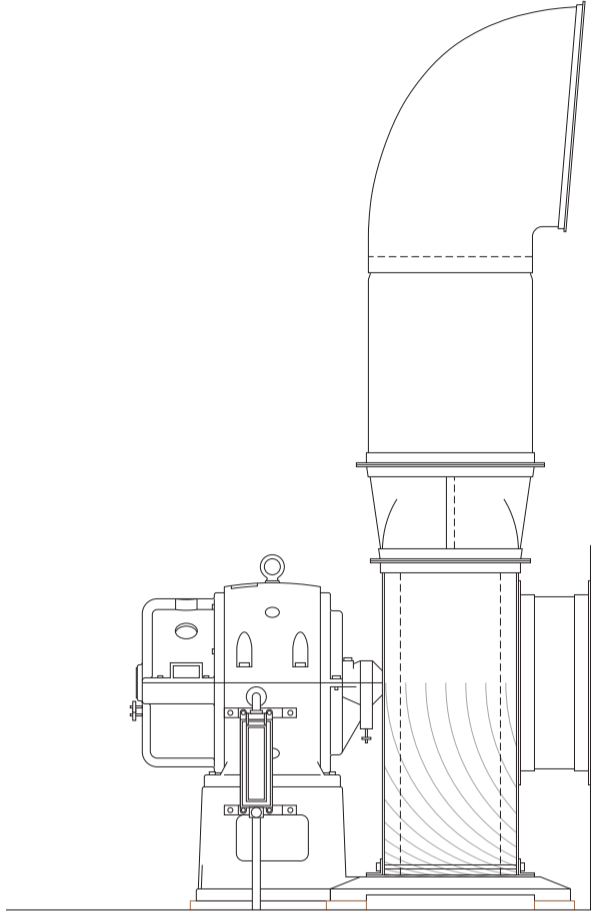
*Starboard*



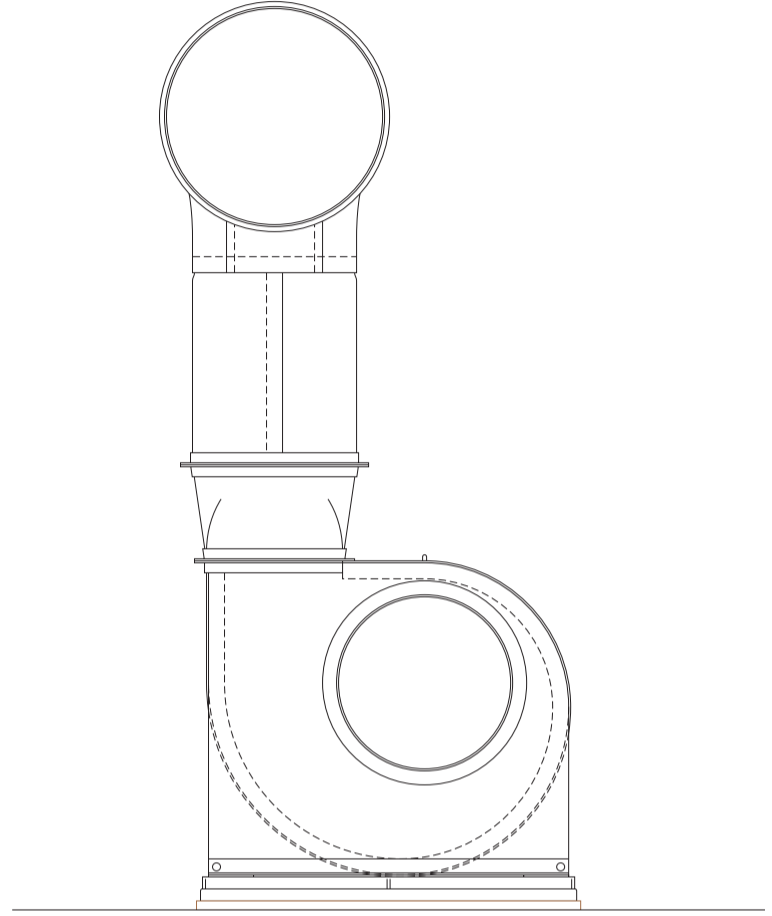
*Forward*

20" SIROCCO FAN, No H4  
S.S. "TITANIC"

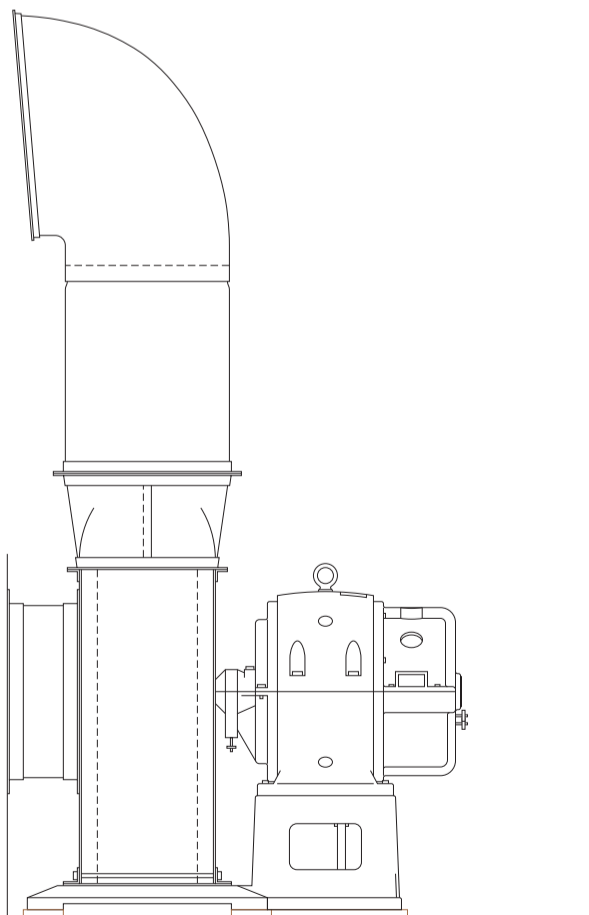
Scale 1:24



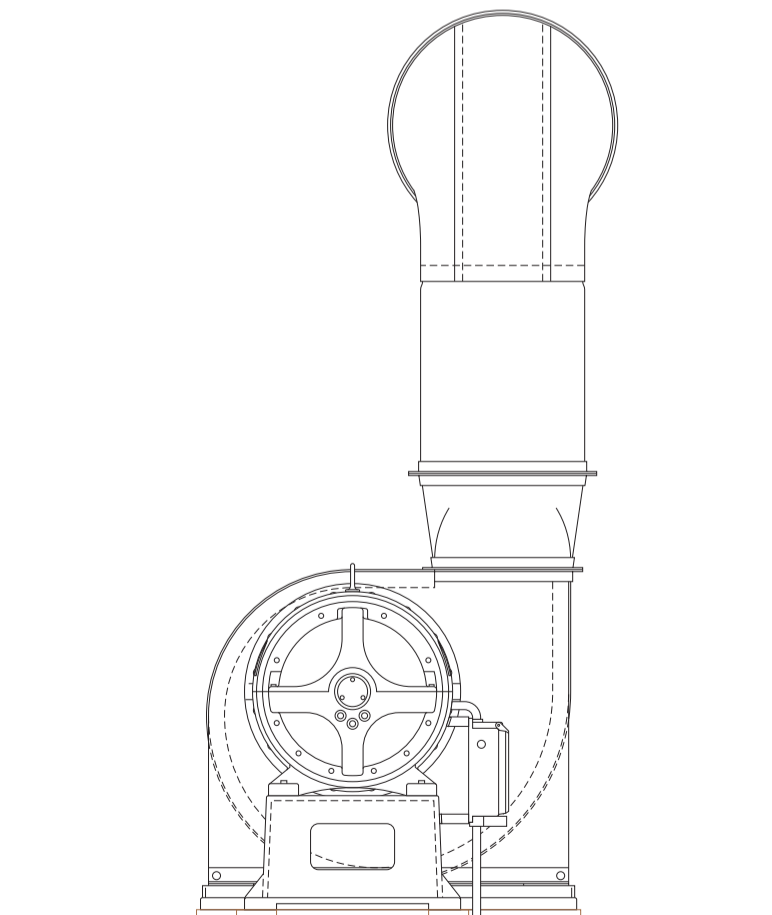
*Port*



*Aft*



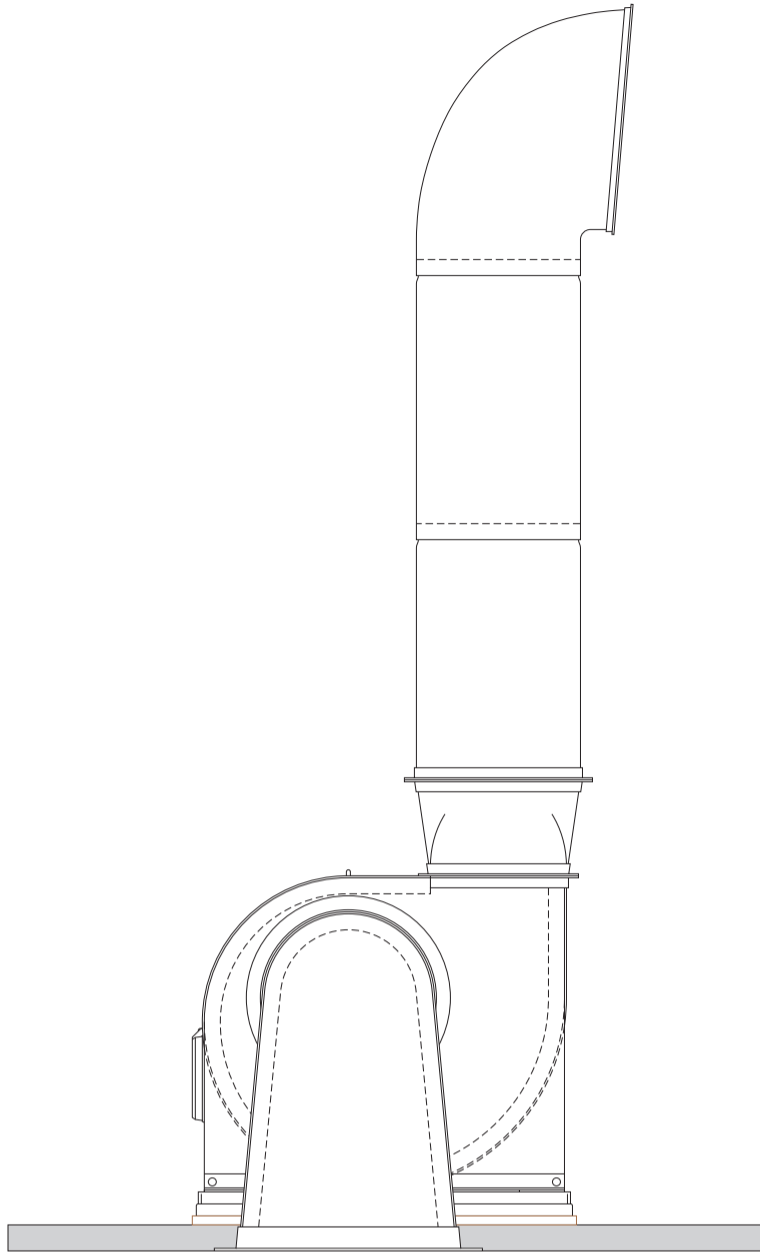
*Starboard*



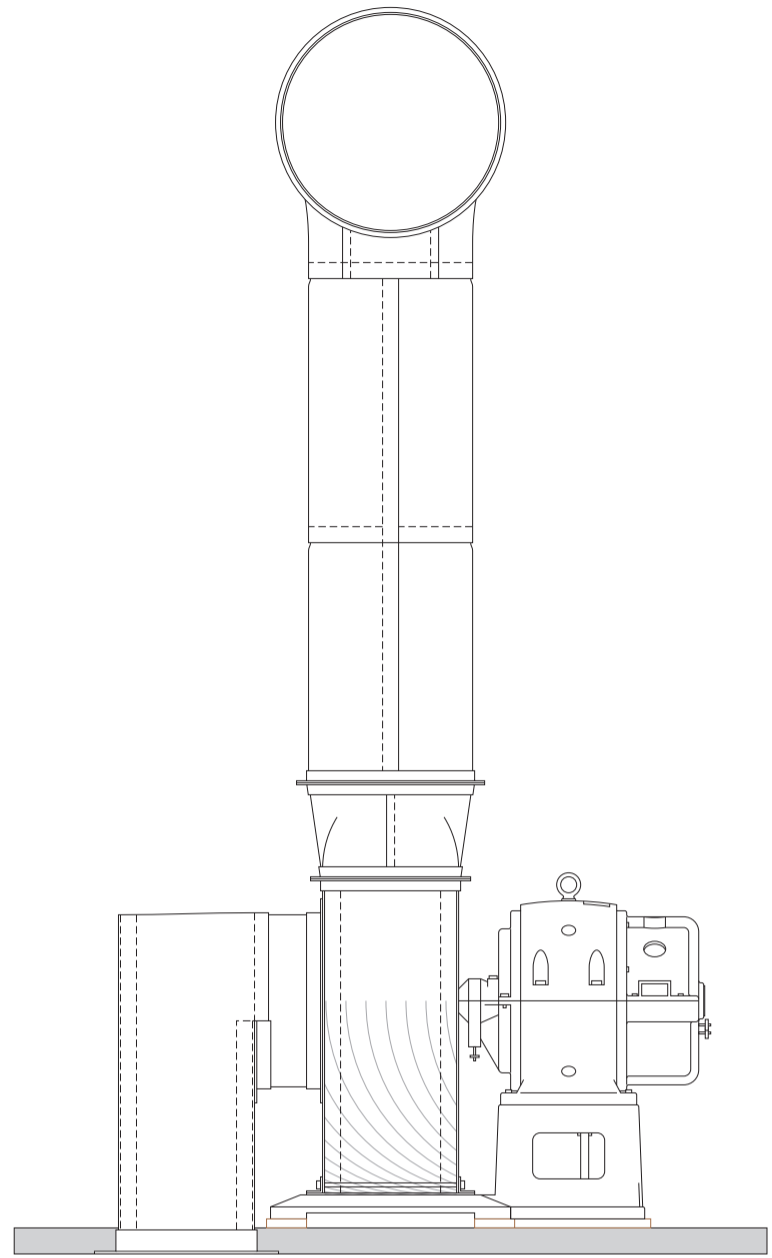
*Forward*

20" SIROCCO FAN, No H5 & H12  
S.S. "TITANIC"

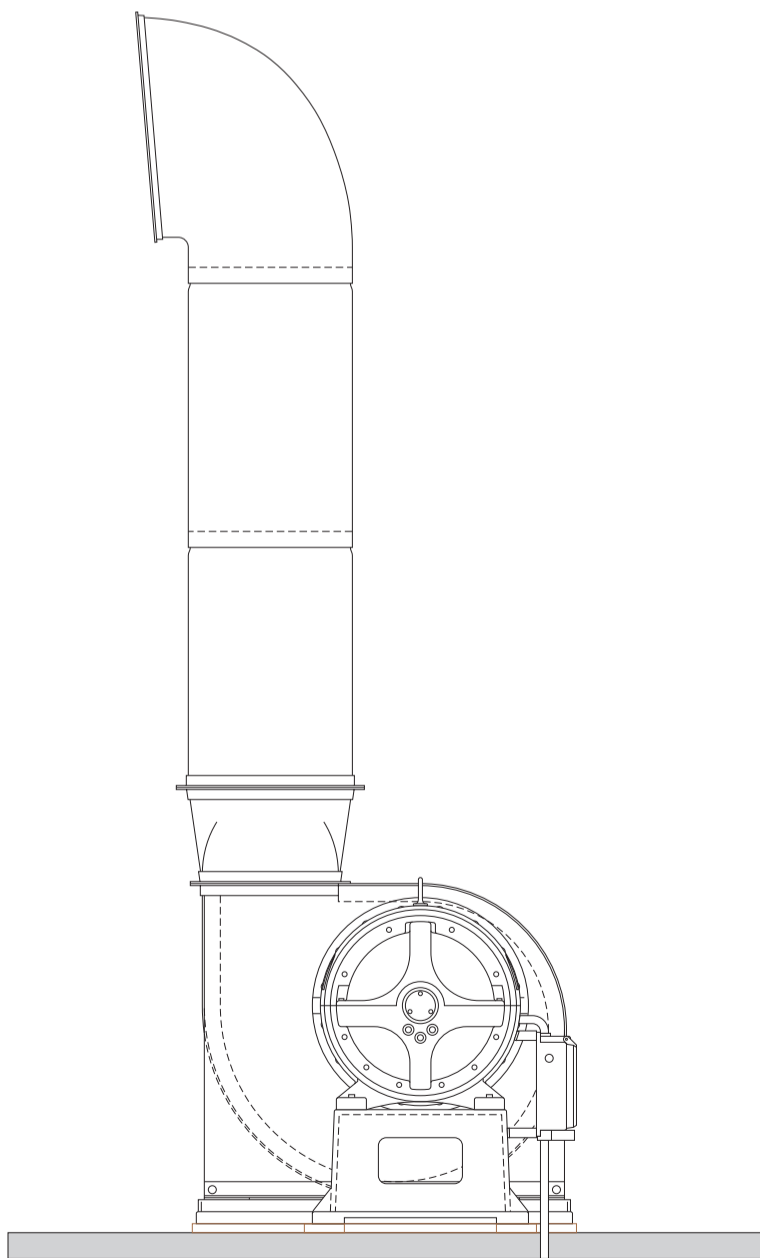
Scale 1:24



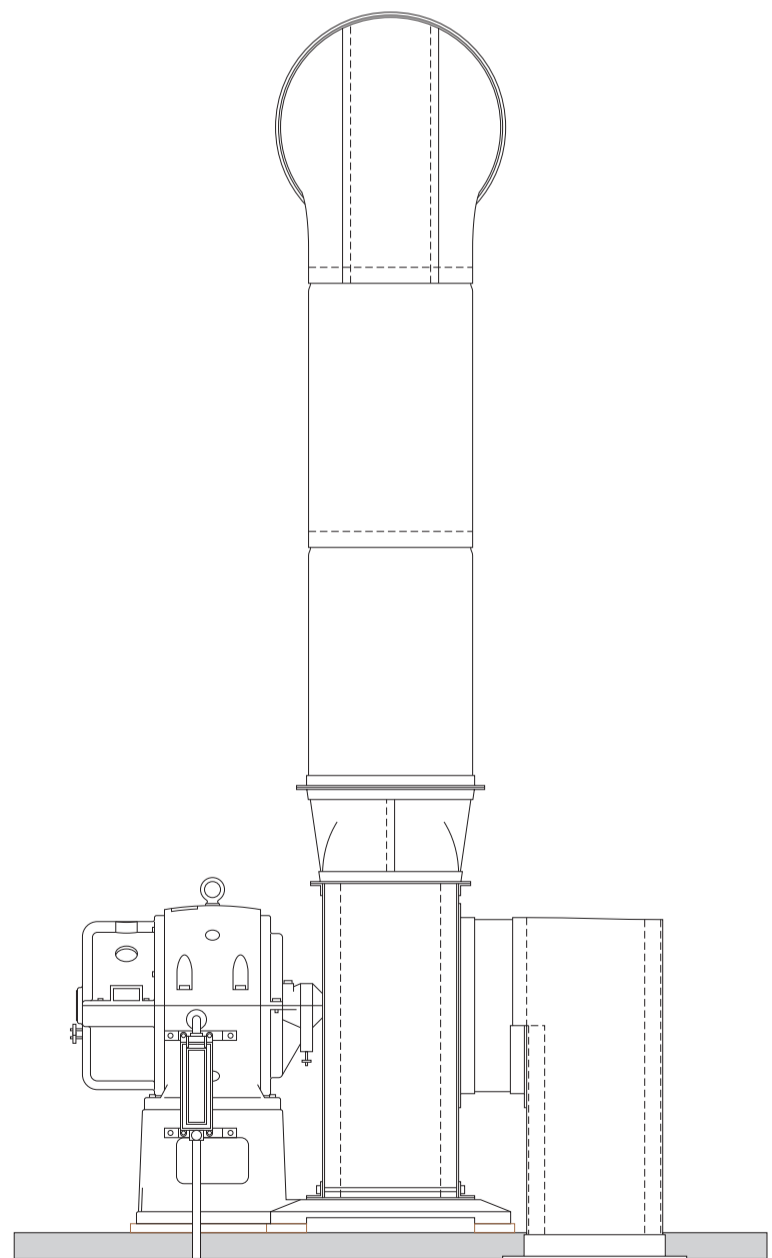
*Port*



*Aft*



*Starboard*

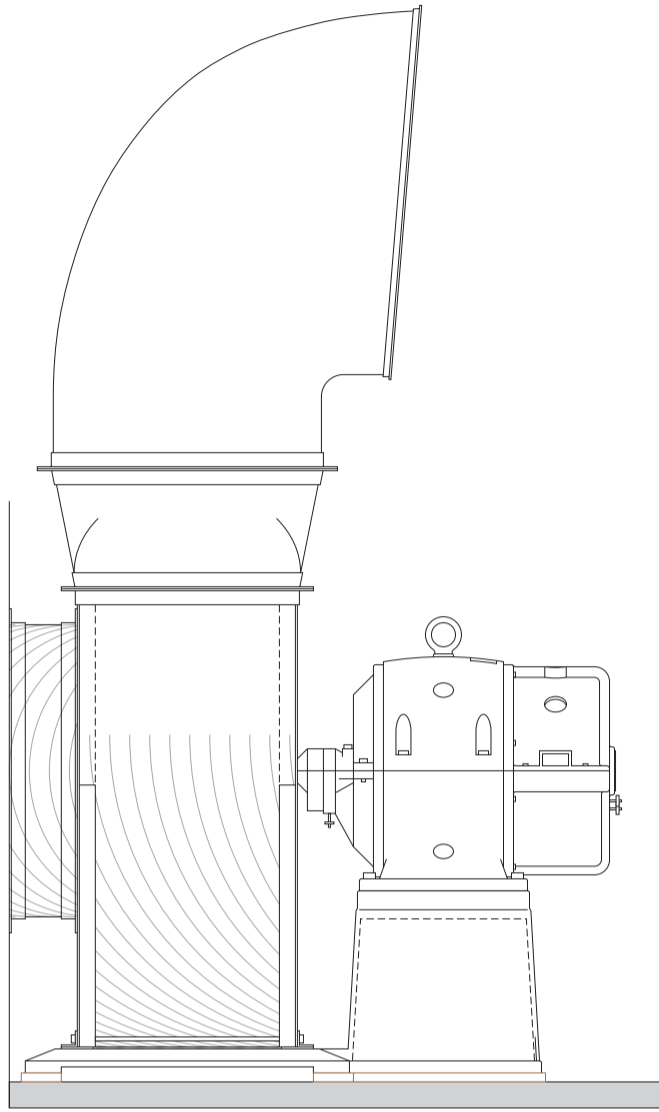


*Forward*

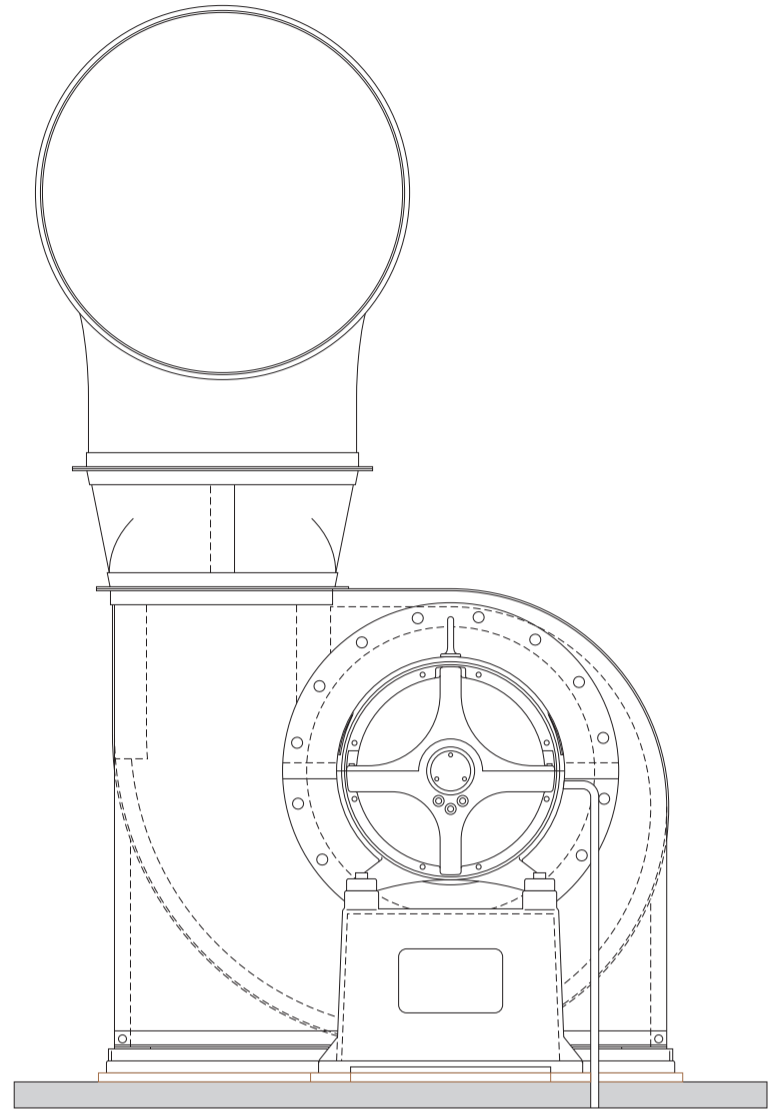
# 30" SIROCCO FAN, No H6

S.S. "TITANIC"

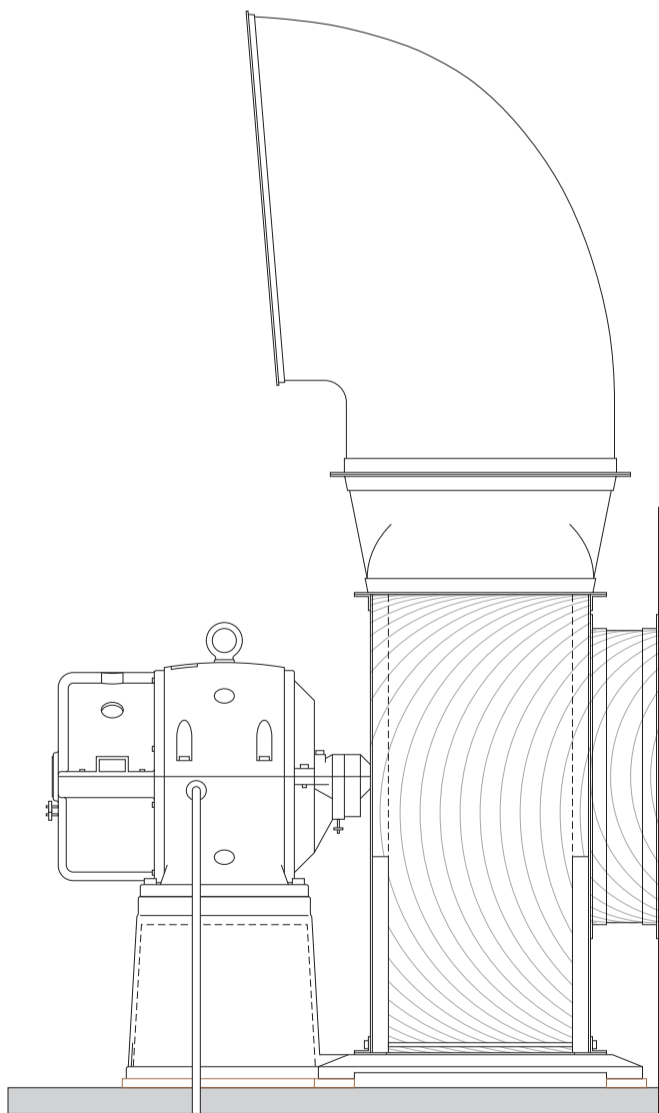
Scale 1:24



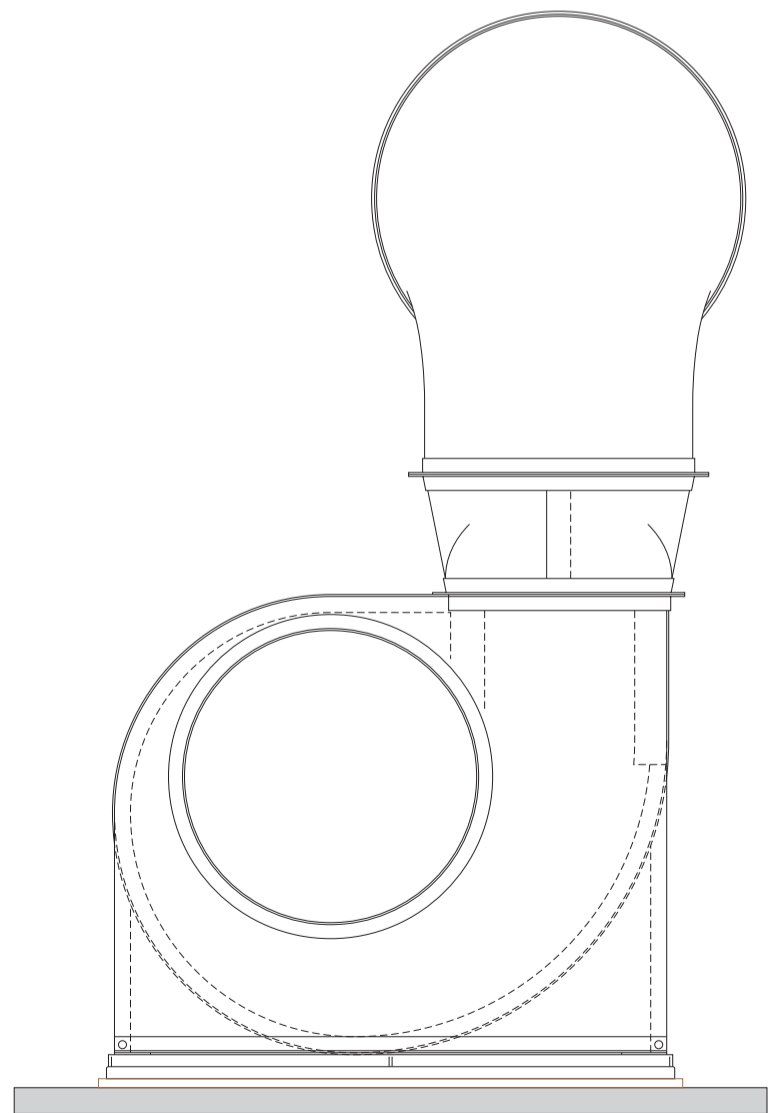
*Port*



*Aft*



*Starboard*

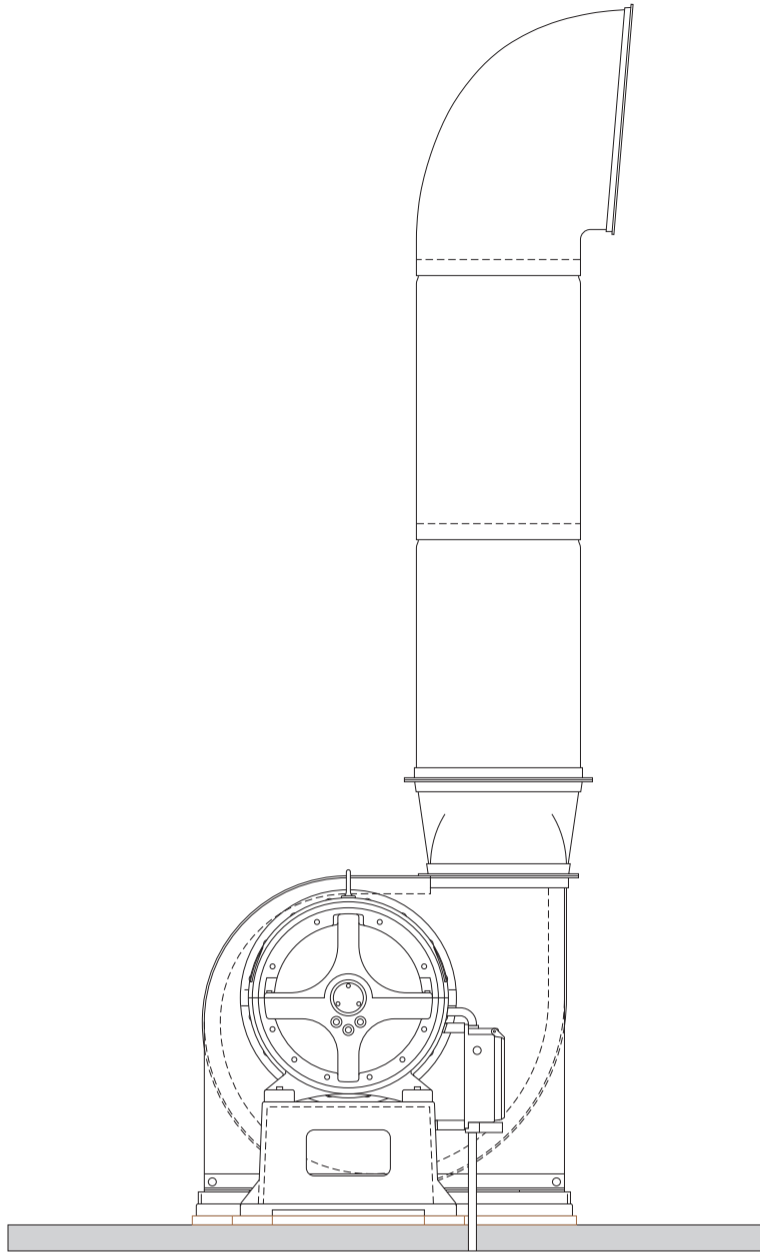


*Forward*

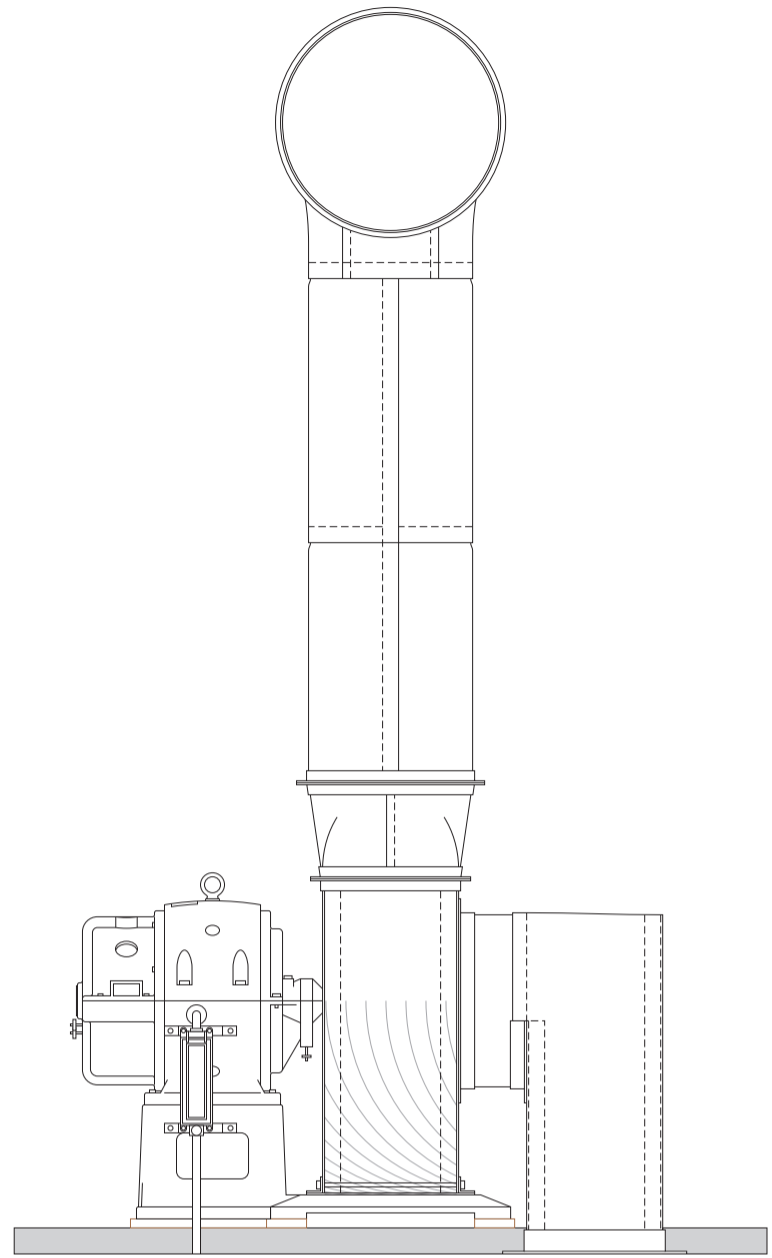


20" SIROCCO FAN, No H7 & H8  
S.S. "TITANIC"

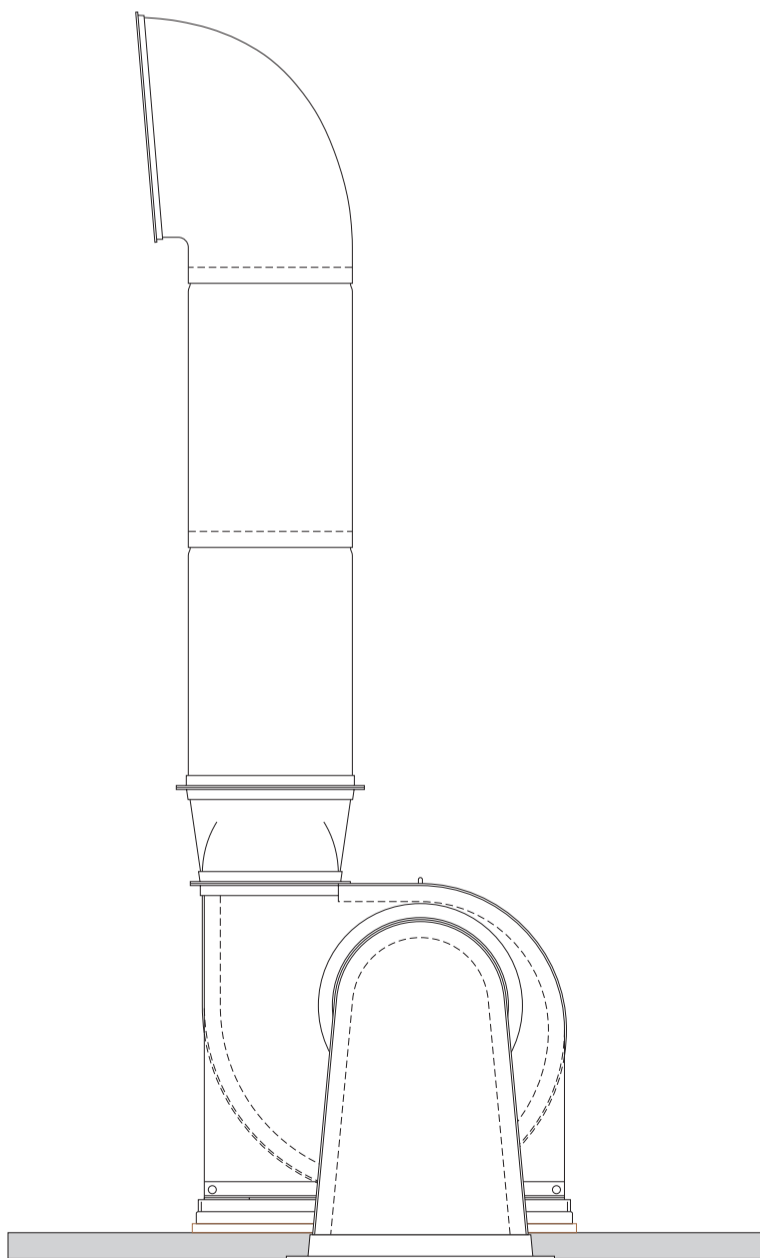
Scale 1:24



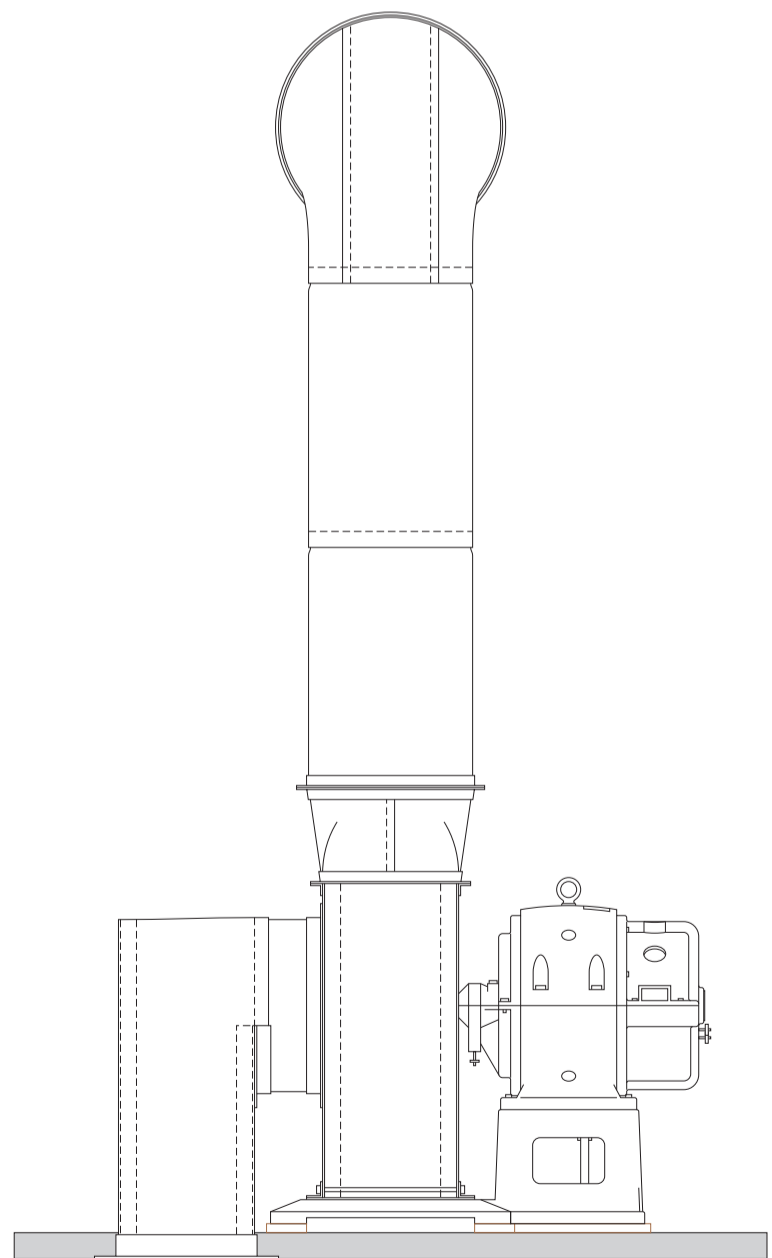
*Port*



*Aft*



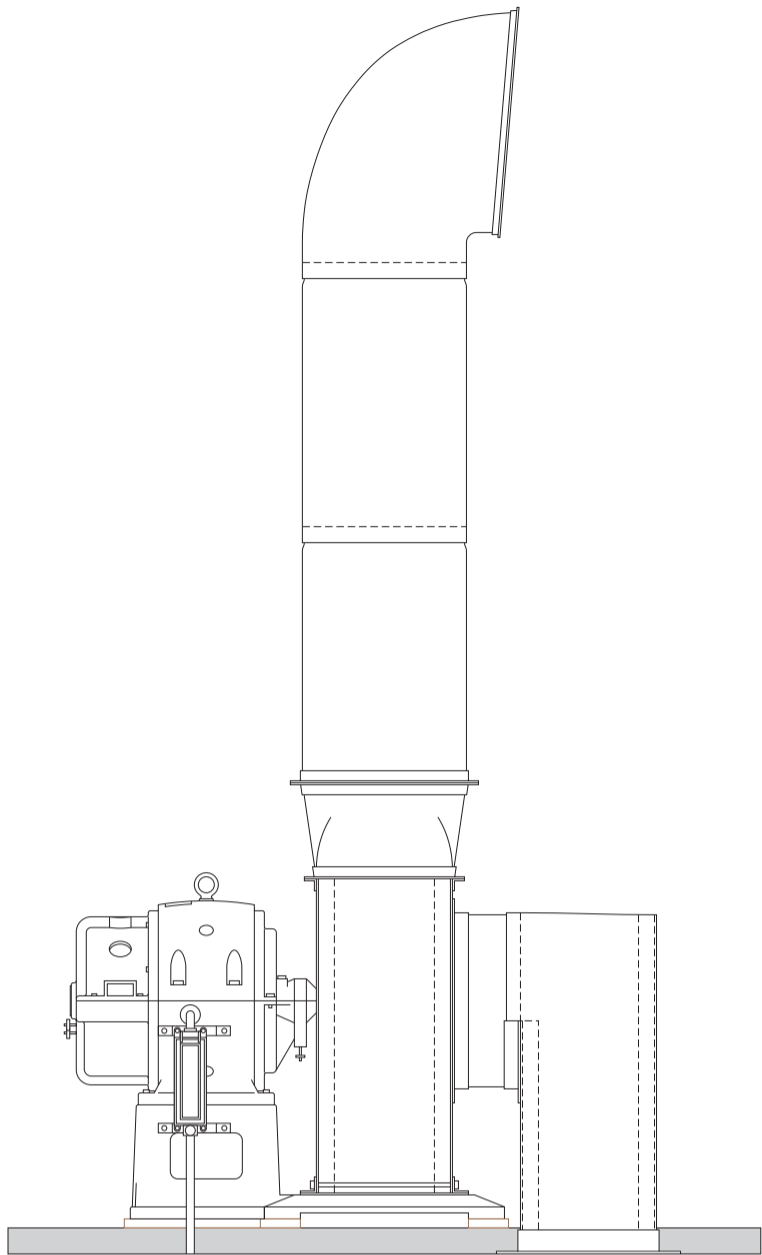
*Starboard*



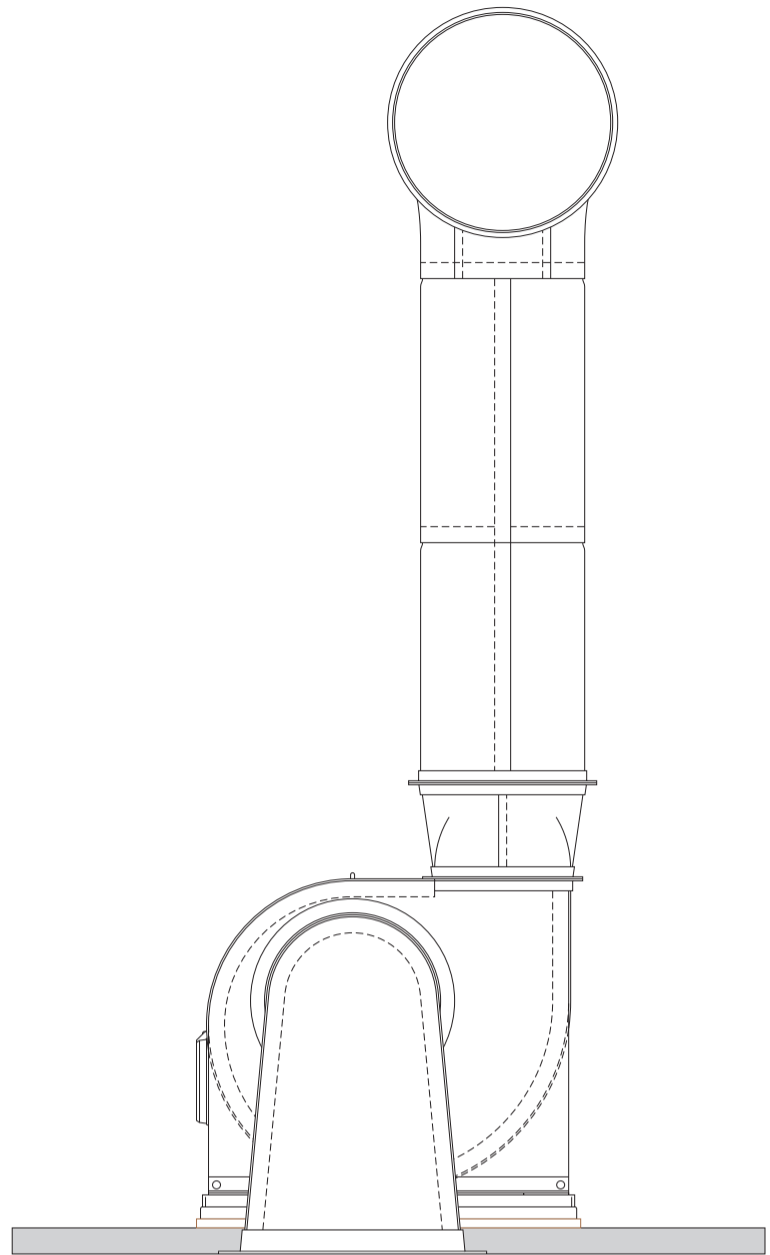
*Forward*

20" SIROCCO FAN, No H10  
S.S. "TITANIC"

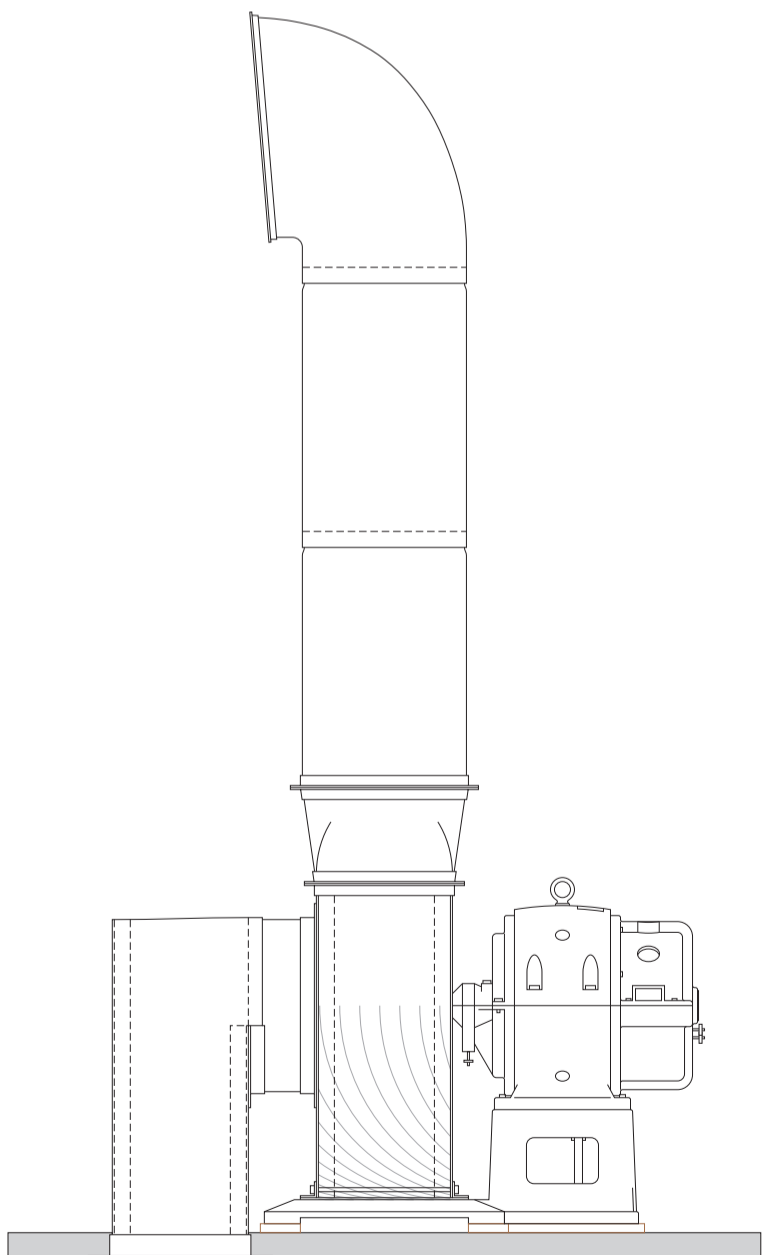
Scale 1:24



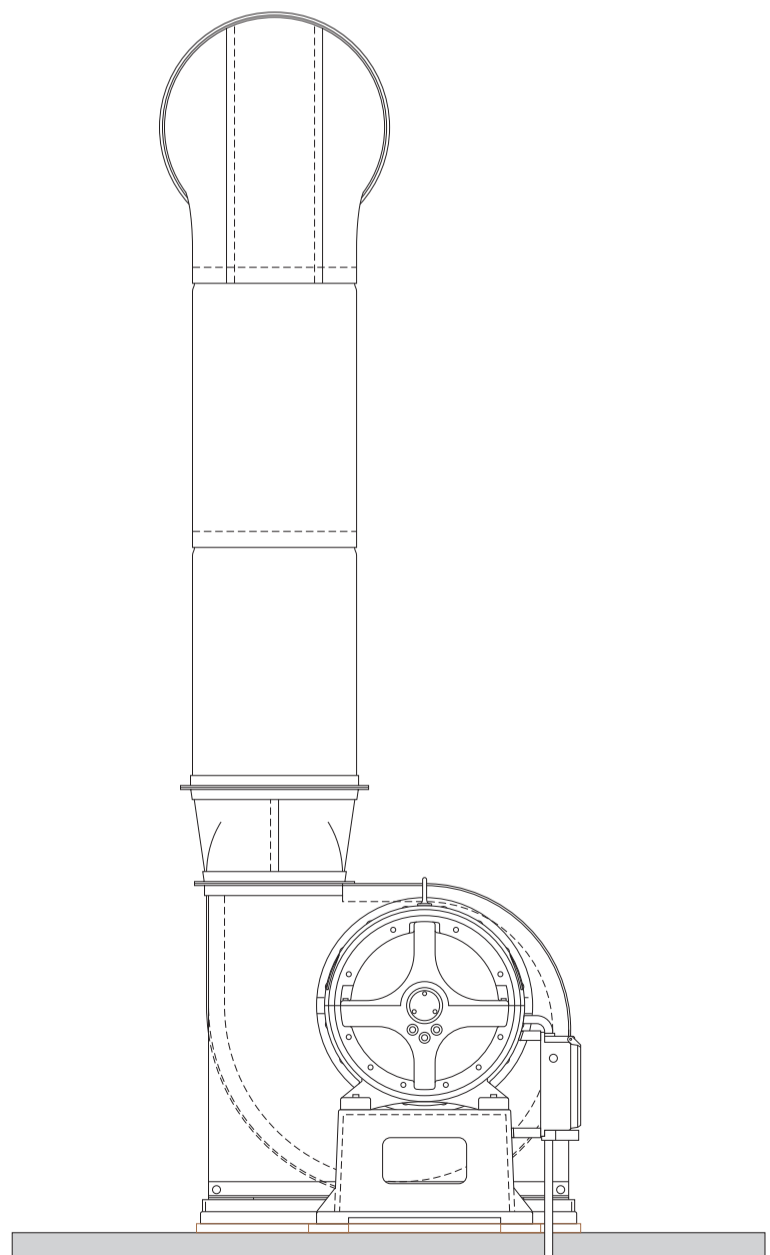
*Port*



*Aft*



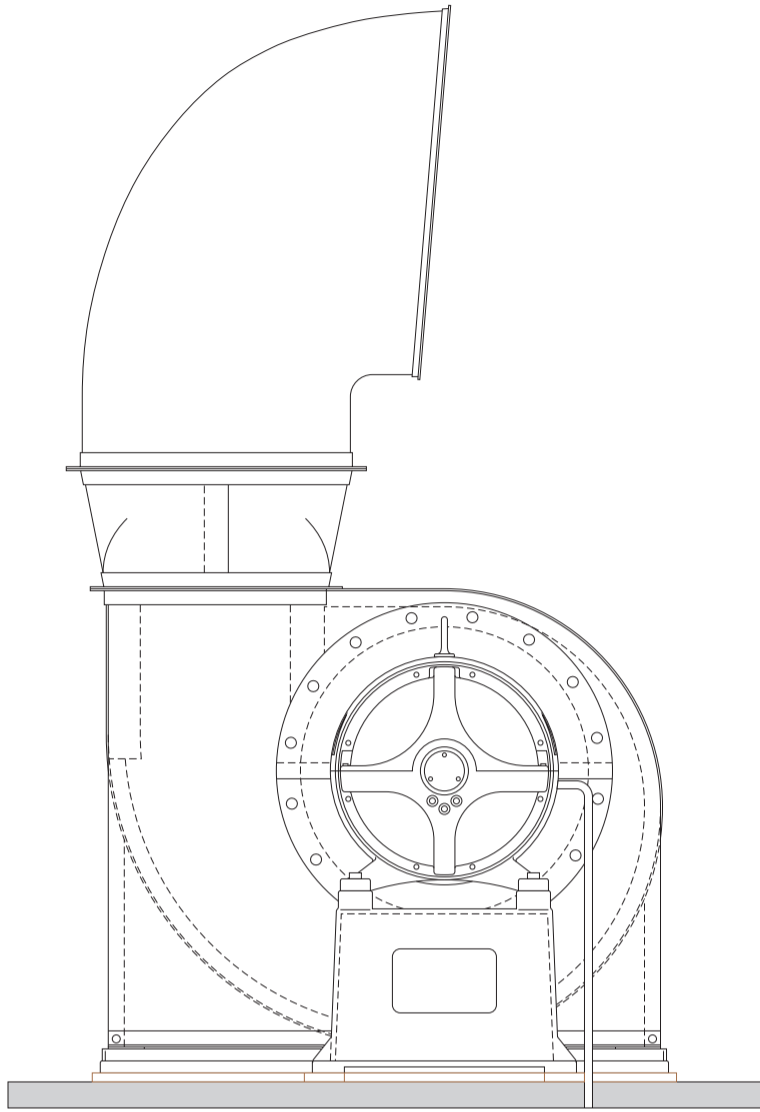
*Starboard*



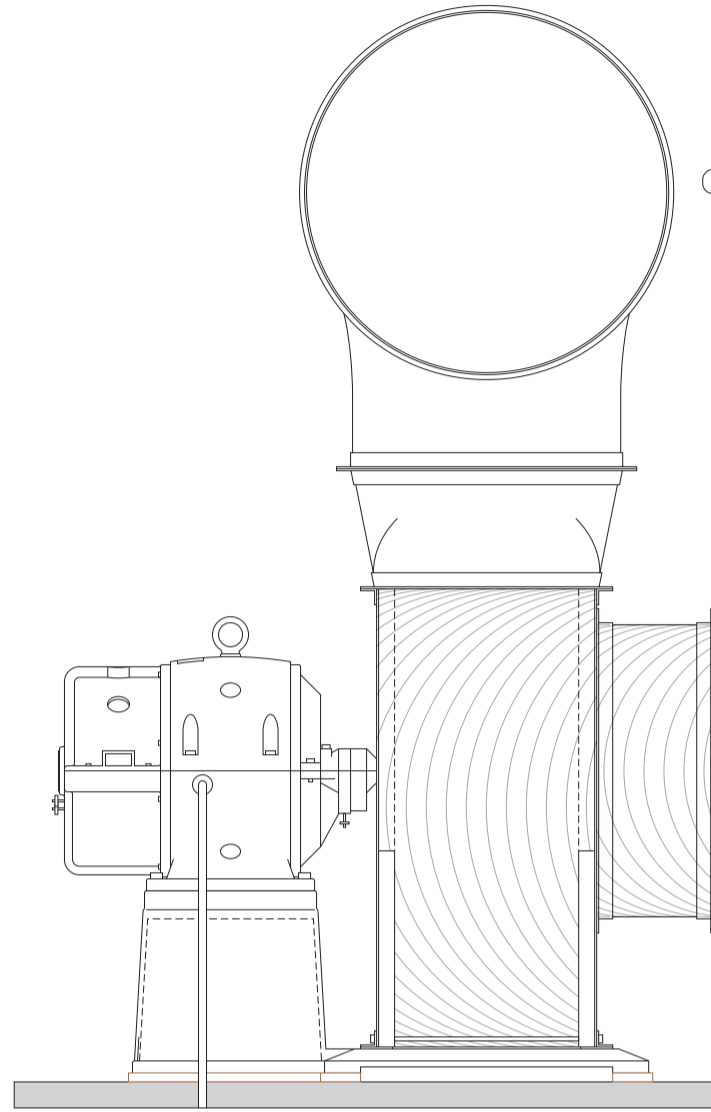
*Forward*

30" SIROCCO FAN, No H14  
S.S. "TITANIC"

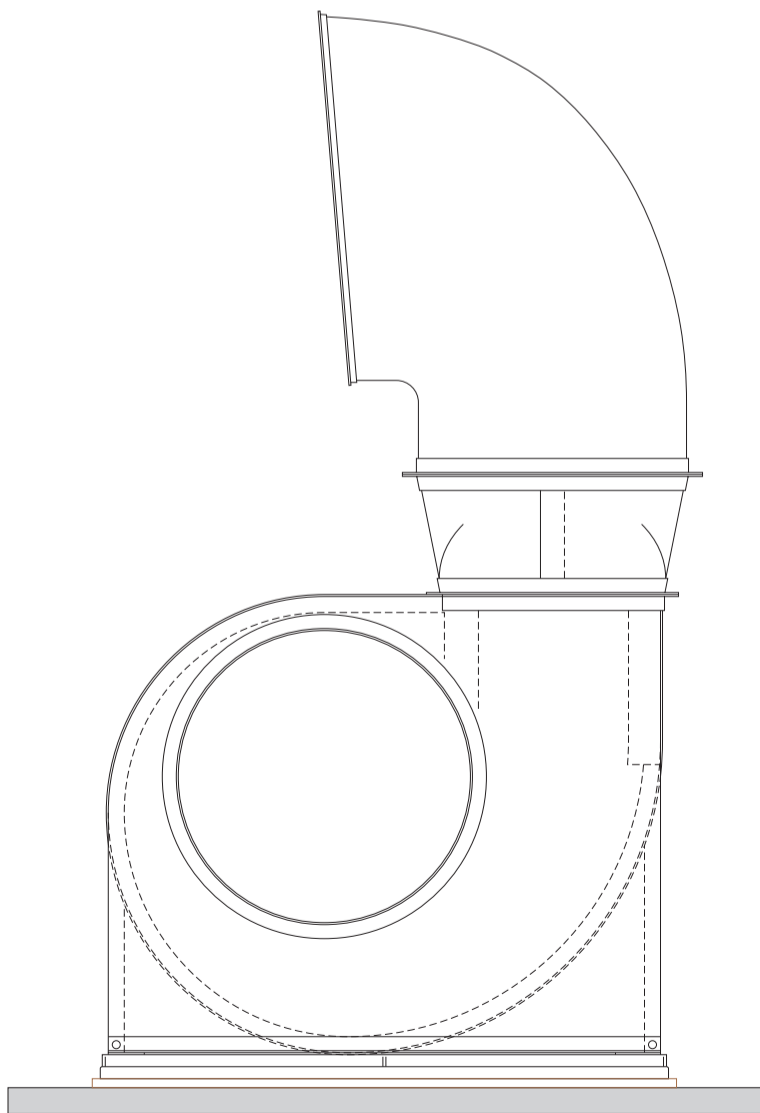
Scale 1:24



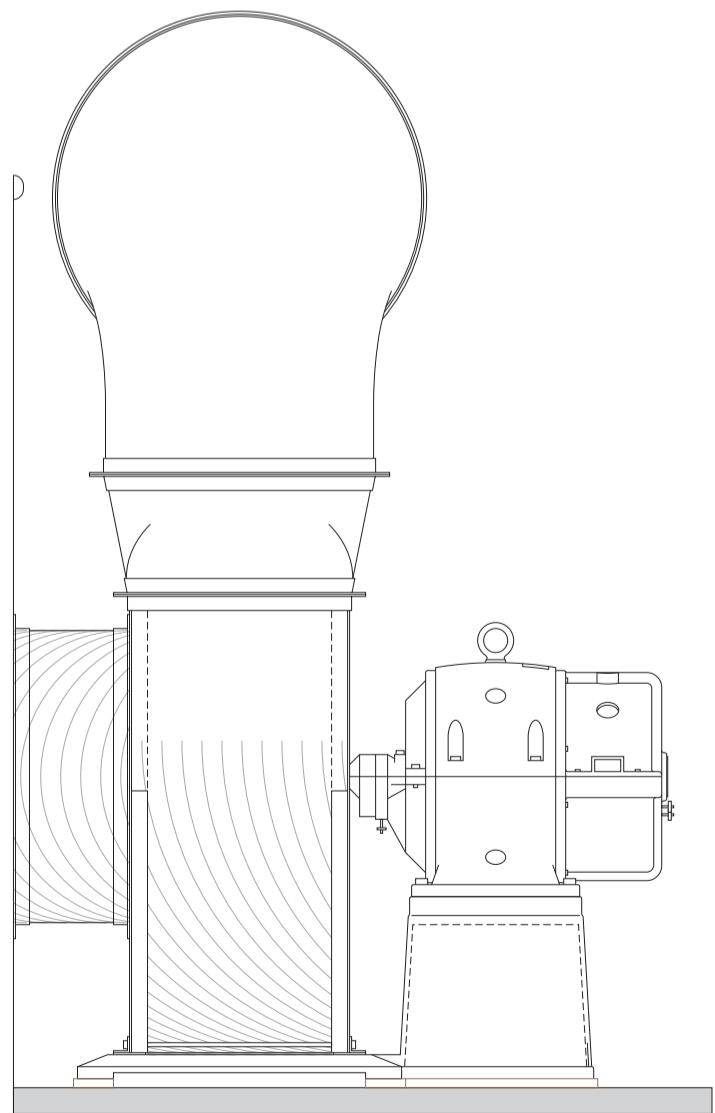
*Port*



*Aft*



*Starboard*

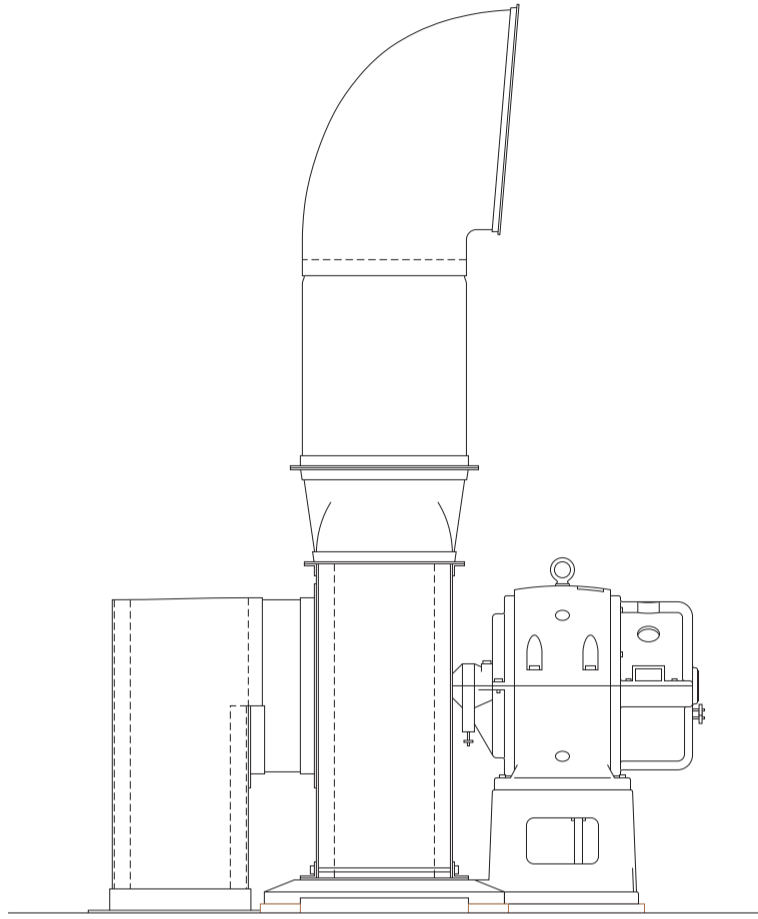


*Forward*

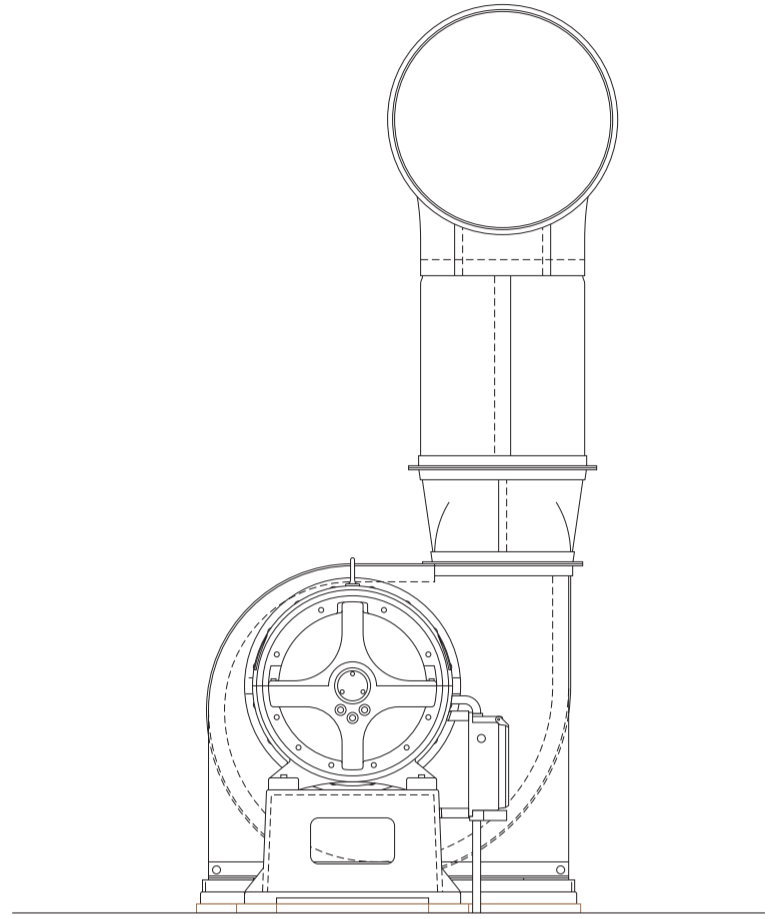
# 20" SIROCCO FAN, No H15

S.S. "TITANIC"

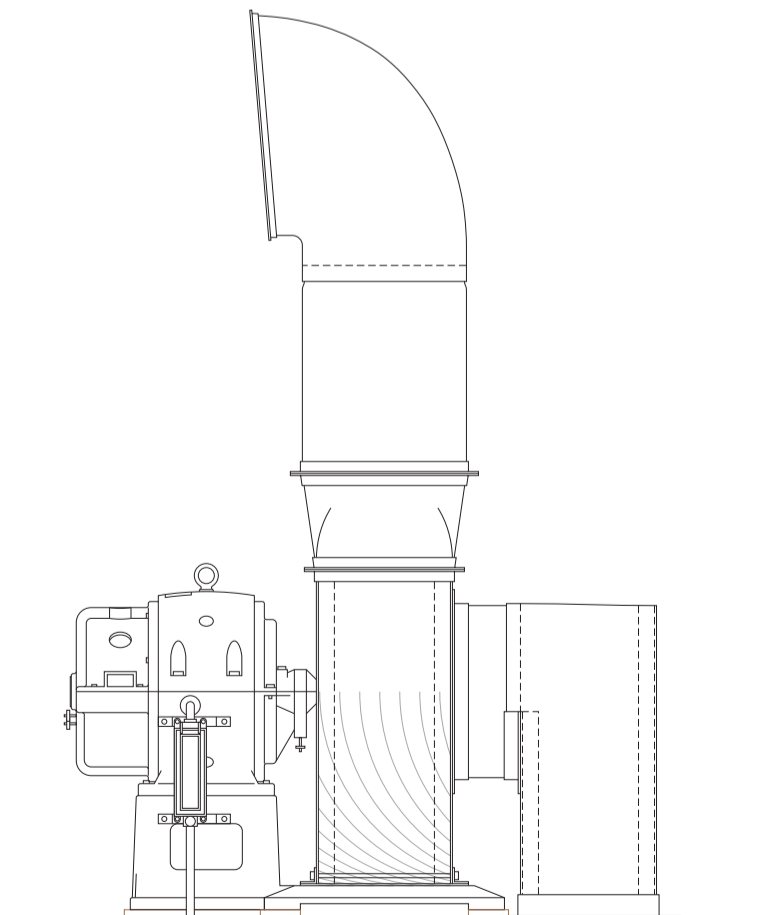
Scale 1:24



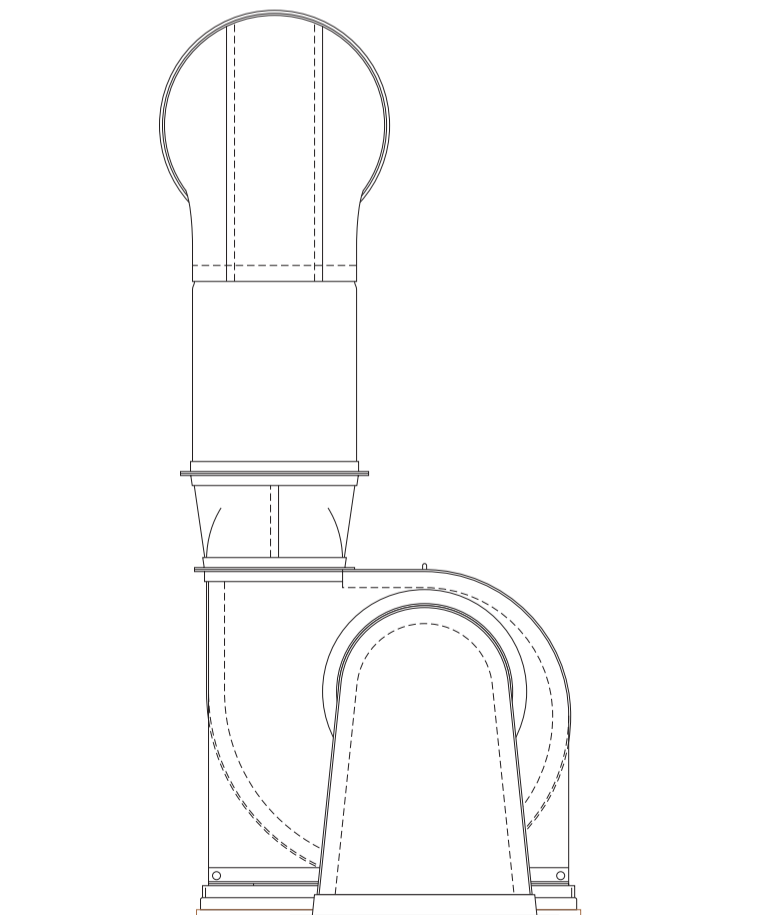
*Port*



*Aft*



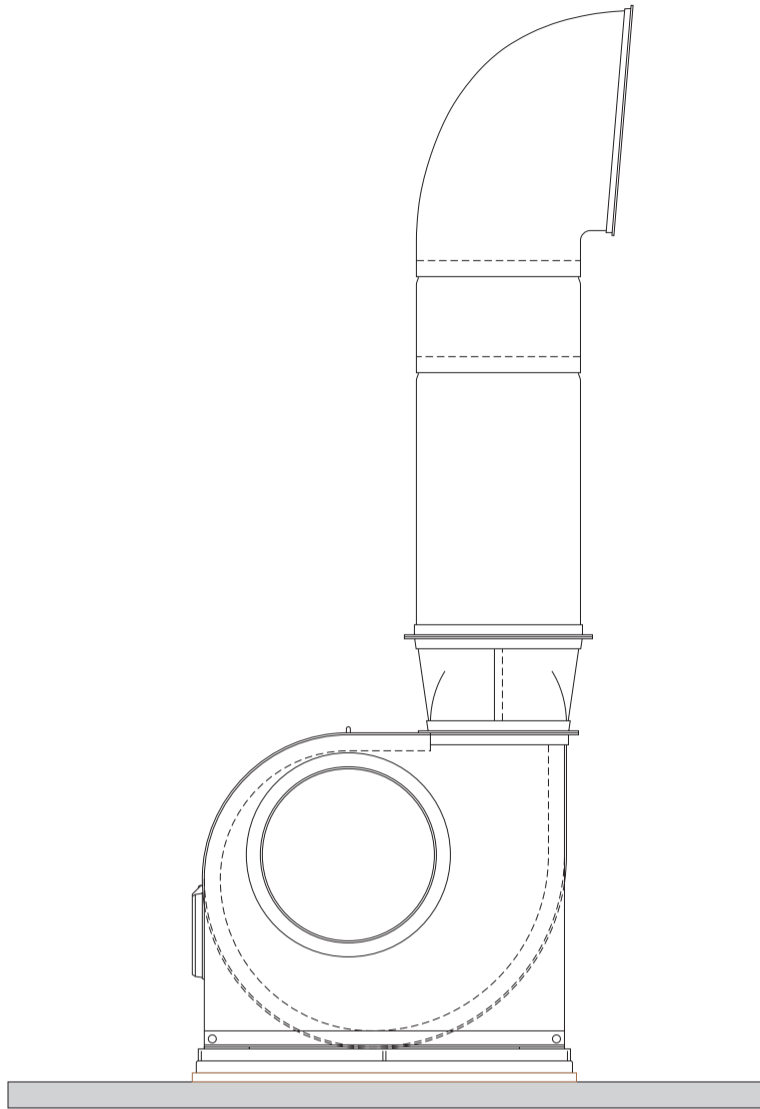
*Starboard*



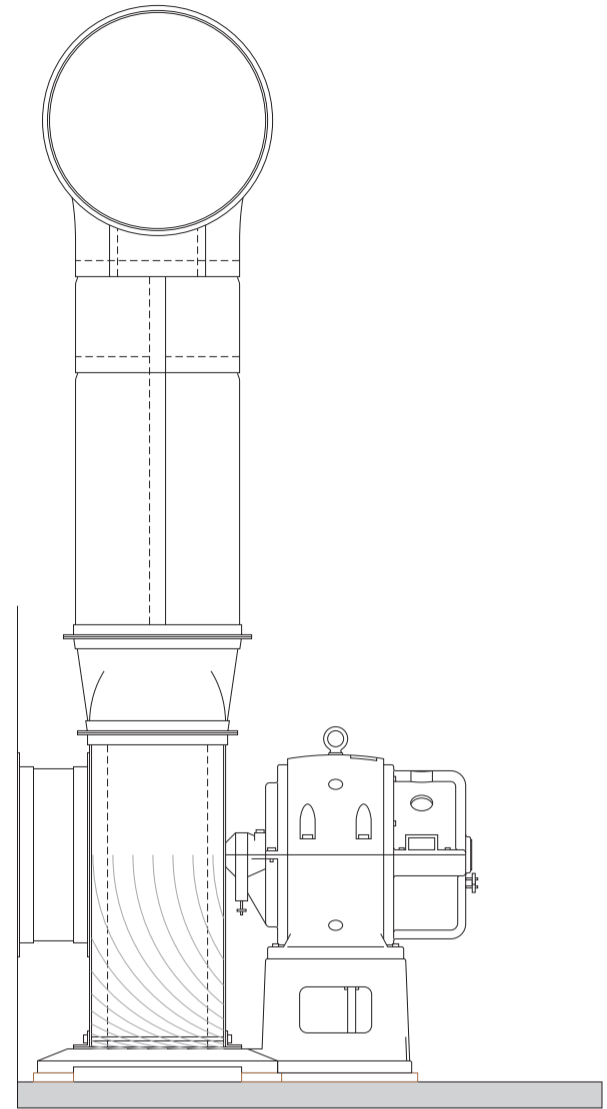
*Forward*

20" SIROCCO FAN, No H17  
S.S. "TITANIC"

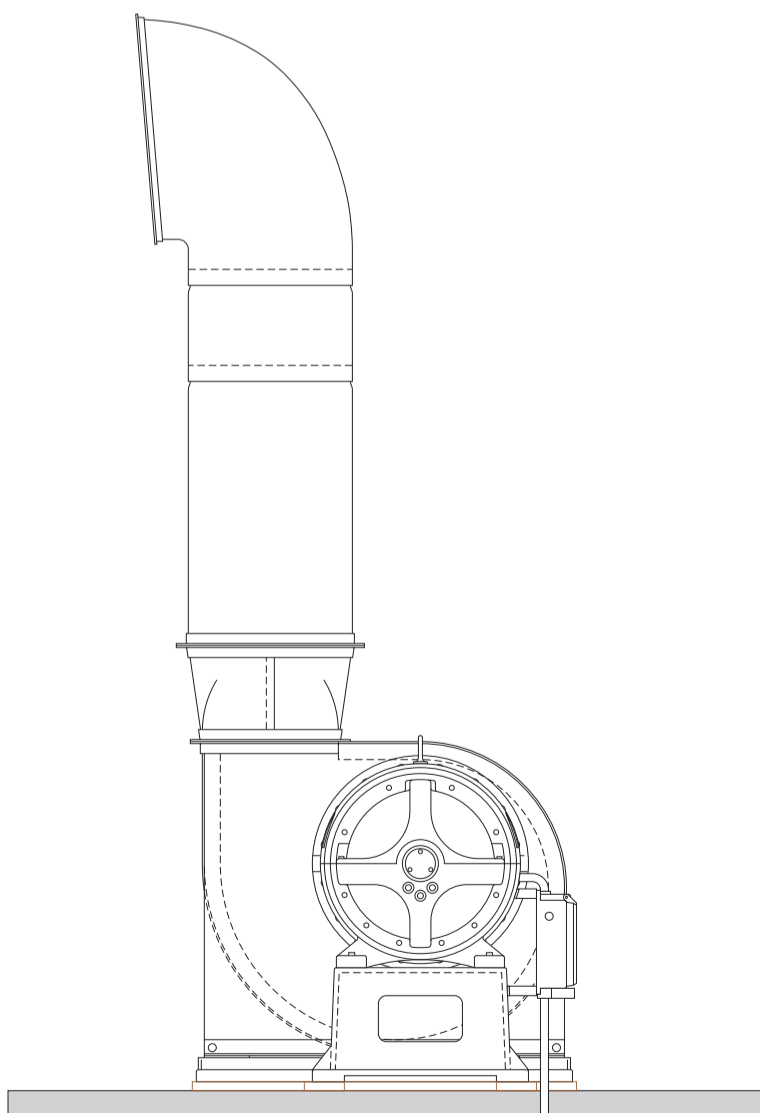
Scale 1:24



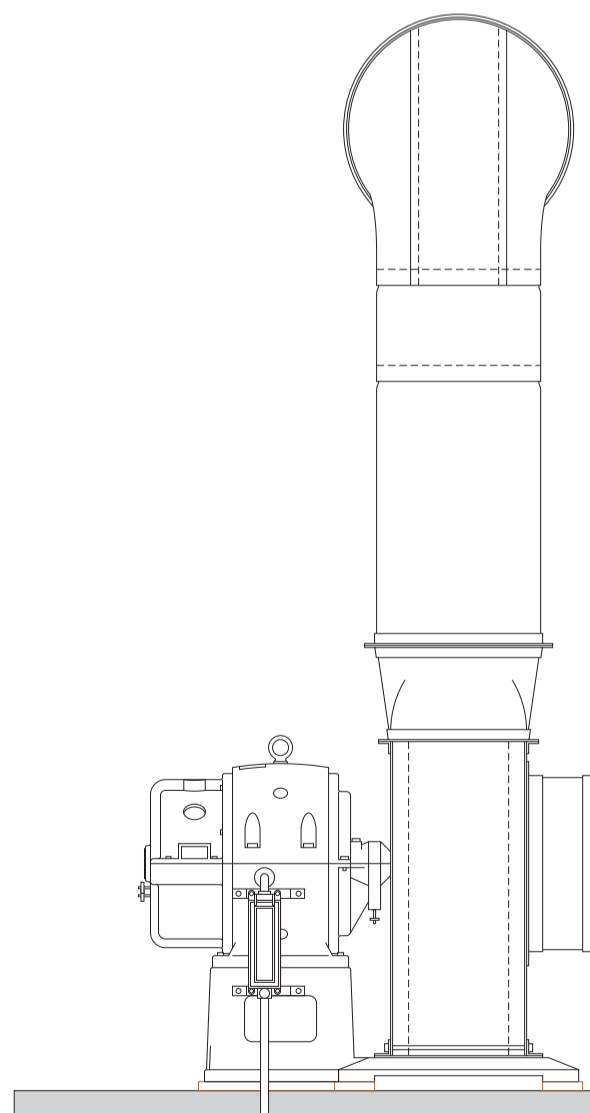
*Port*



*Aft*



*Starboard*

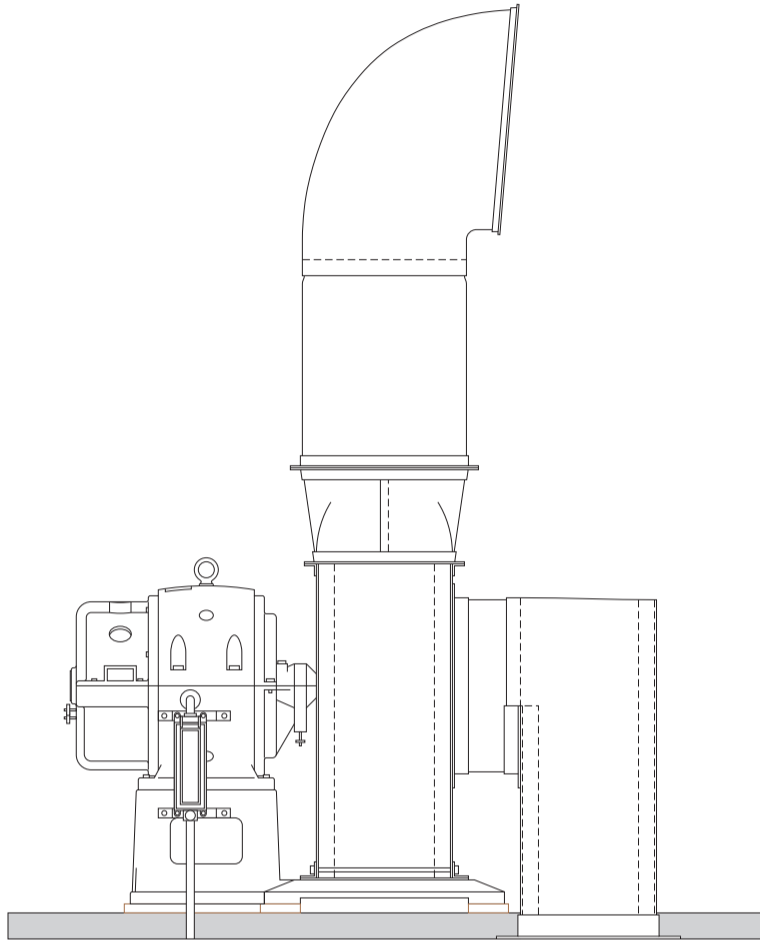


*Forward*

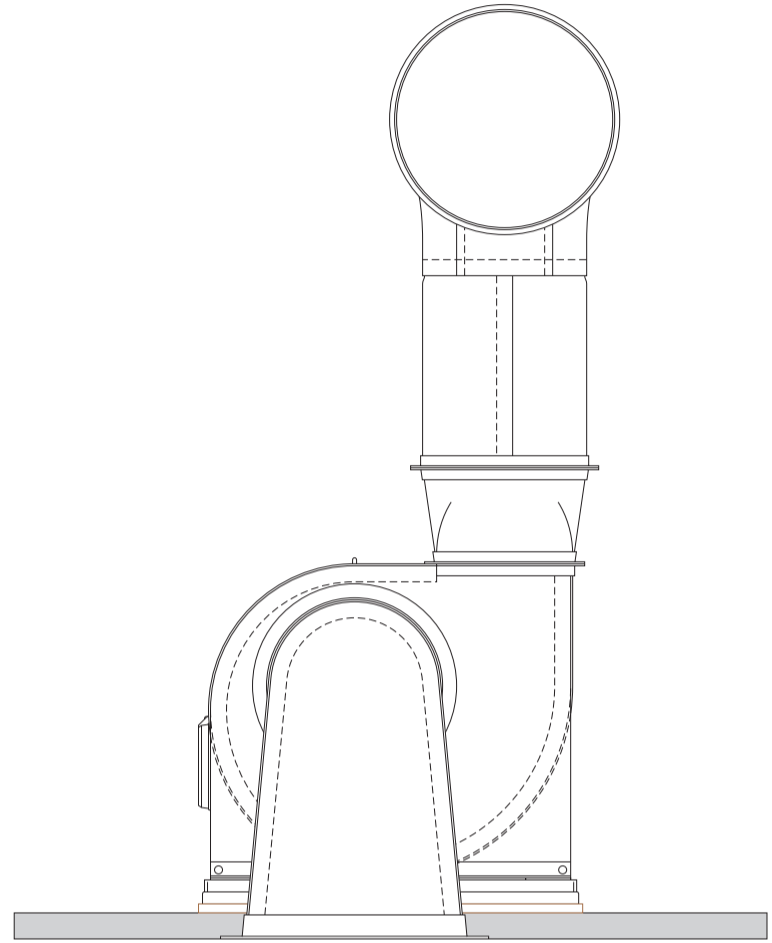
# 20" SIROCCO FAN, No H19

S.S. "TITANIC"

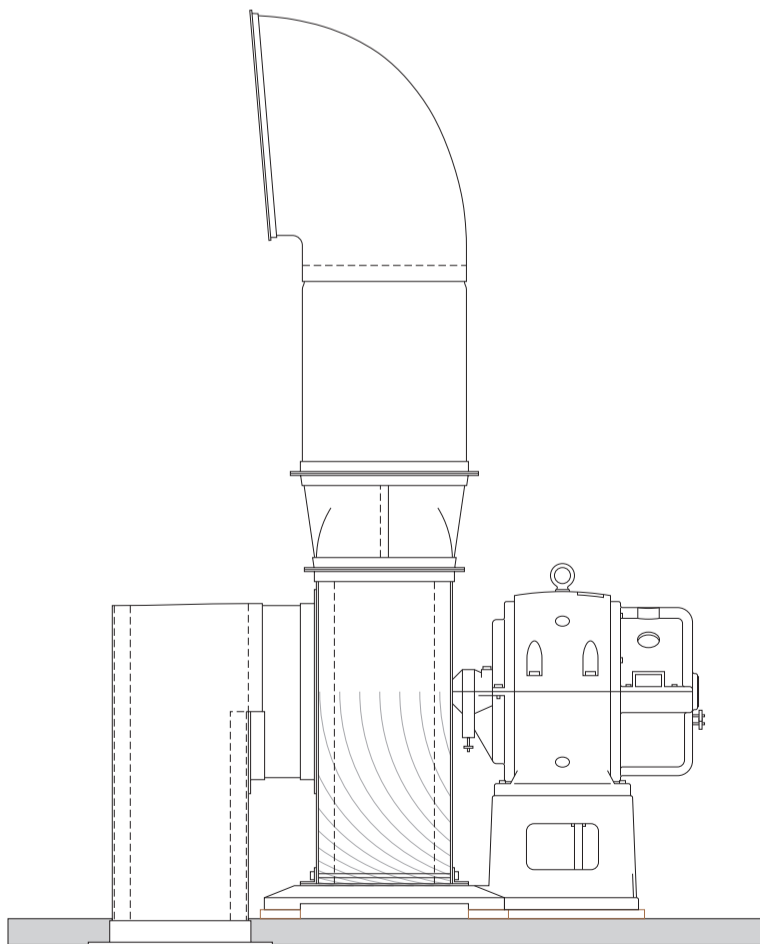
Scale 1:24



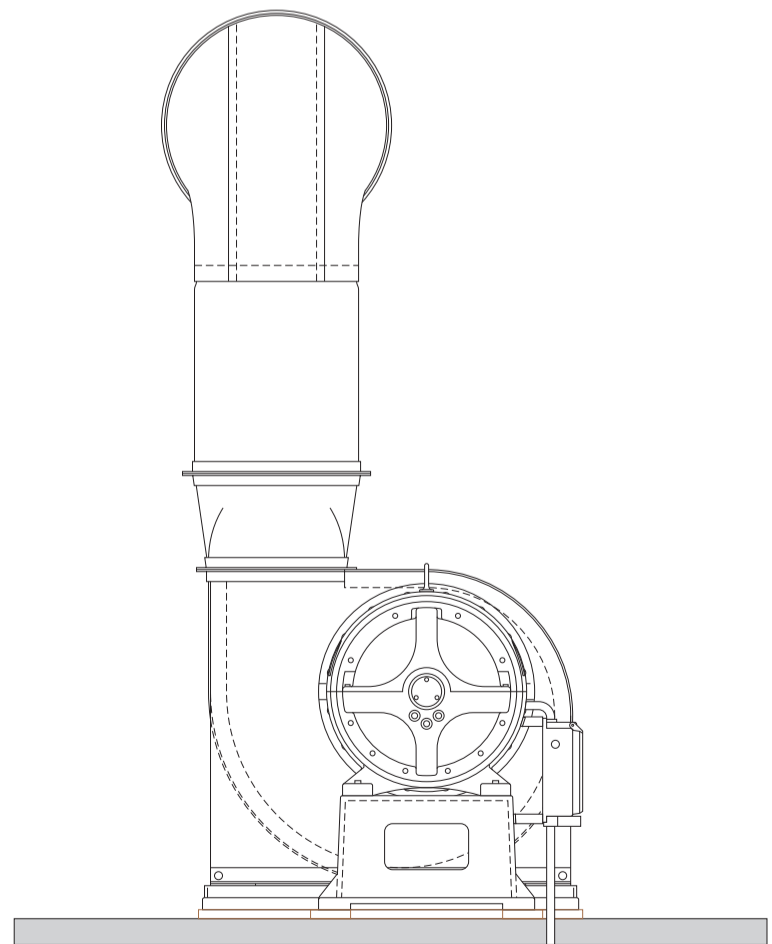
*Port*



*Aft*



*Starboard*

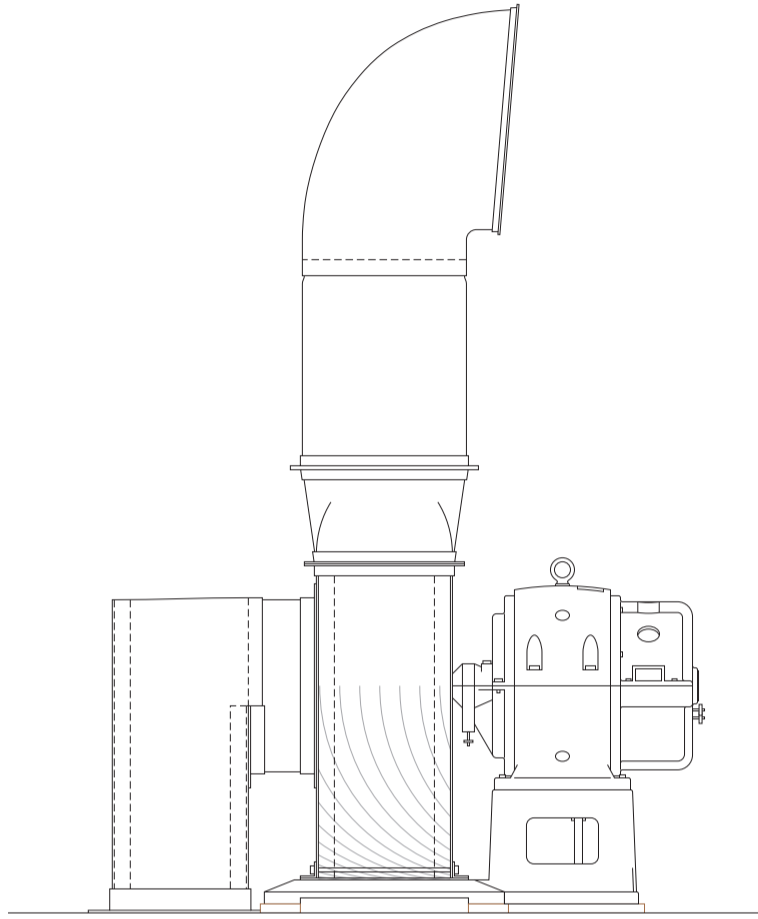


*Forward*

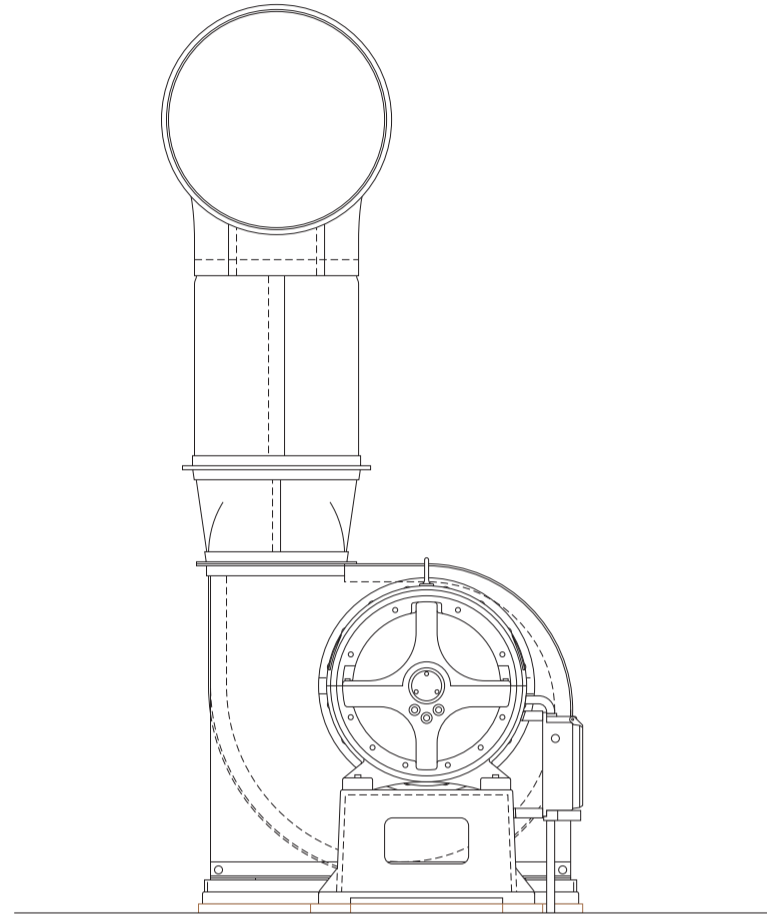
# 20" SIROCCO FAN, No H20

S.S. "TITANIC"

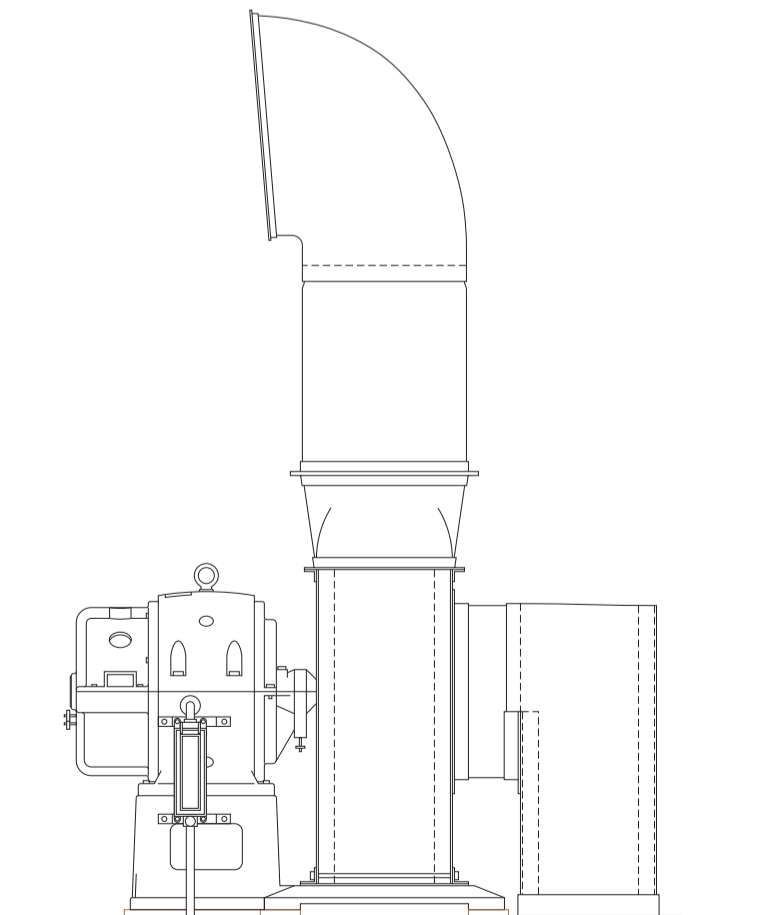
Scale 1:24



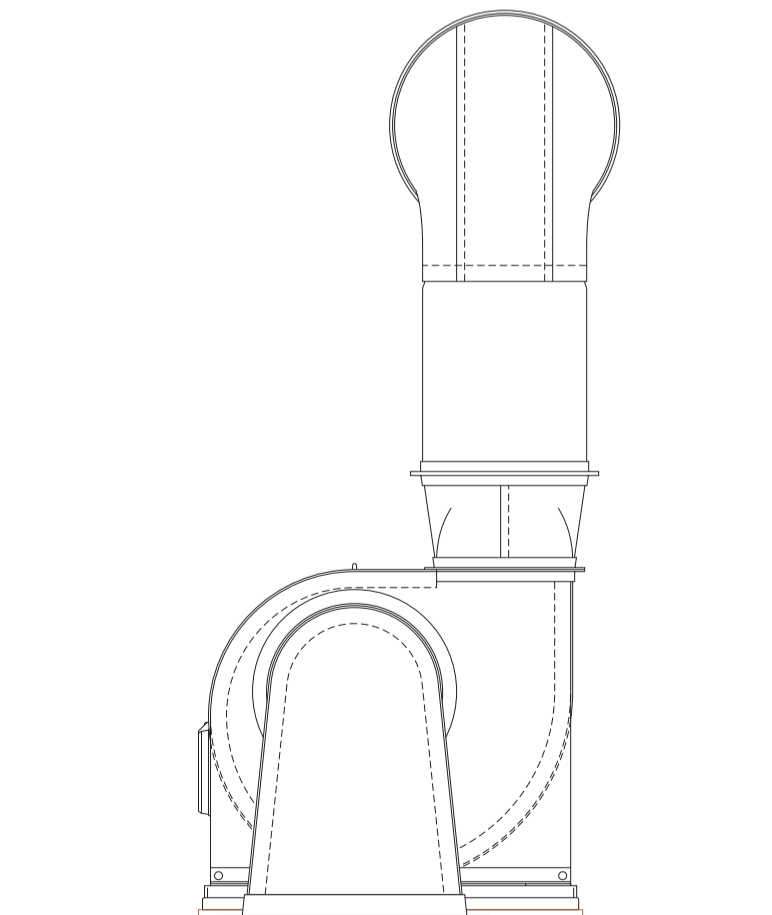
*Port*



*Aft*



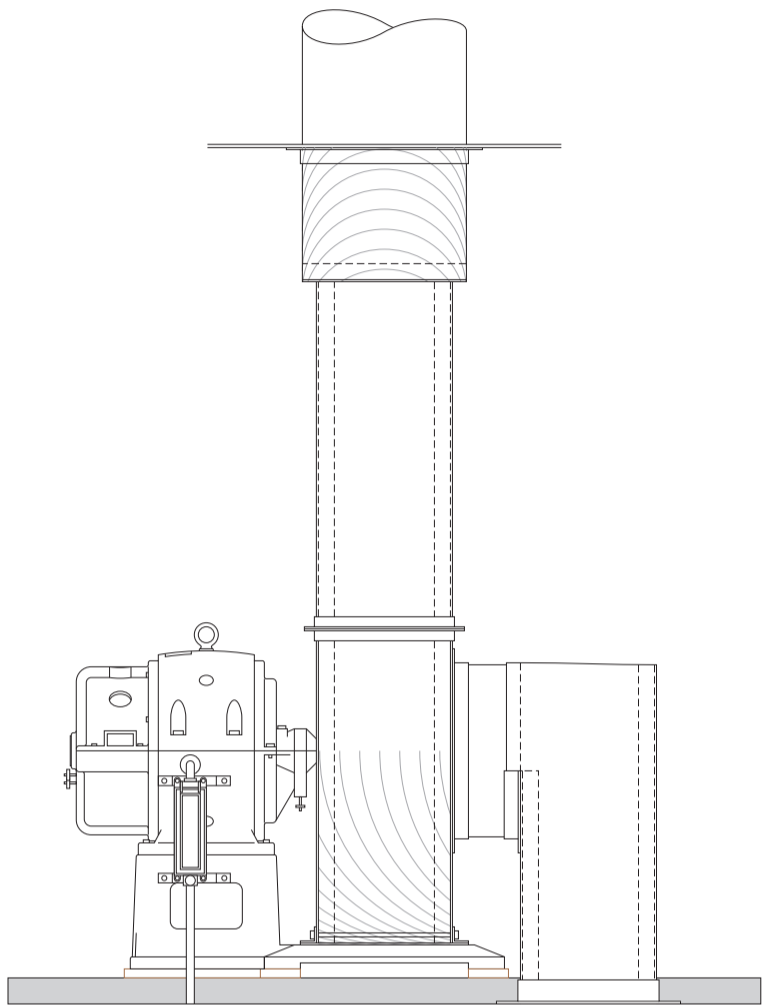
*Starboard*



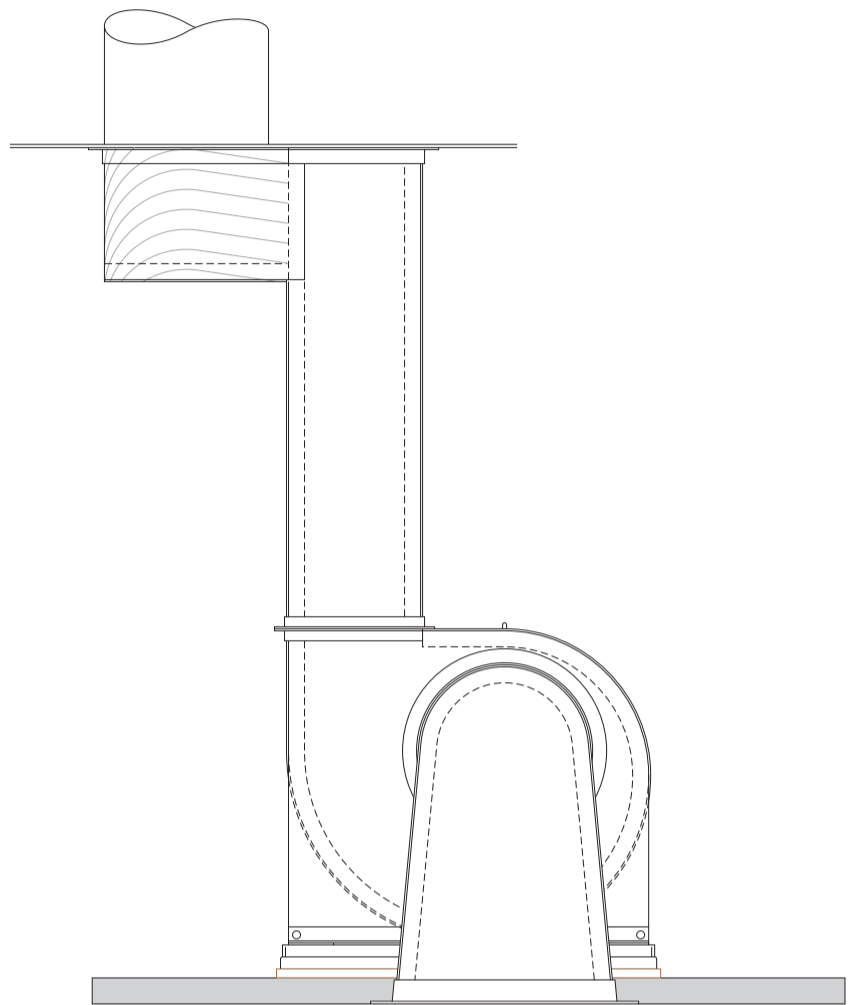
*Forward*

20" SIROCCO FAN, No H21  
S.S. "TITANIC"

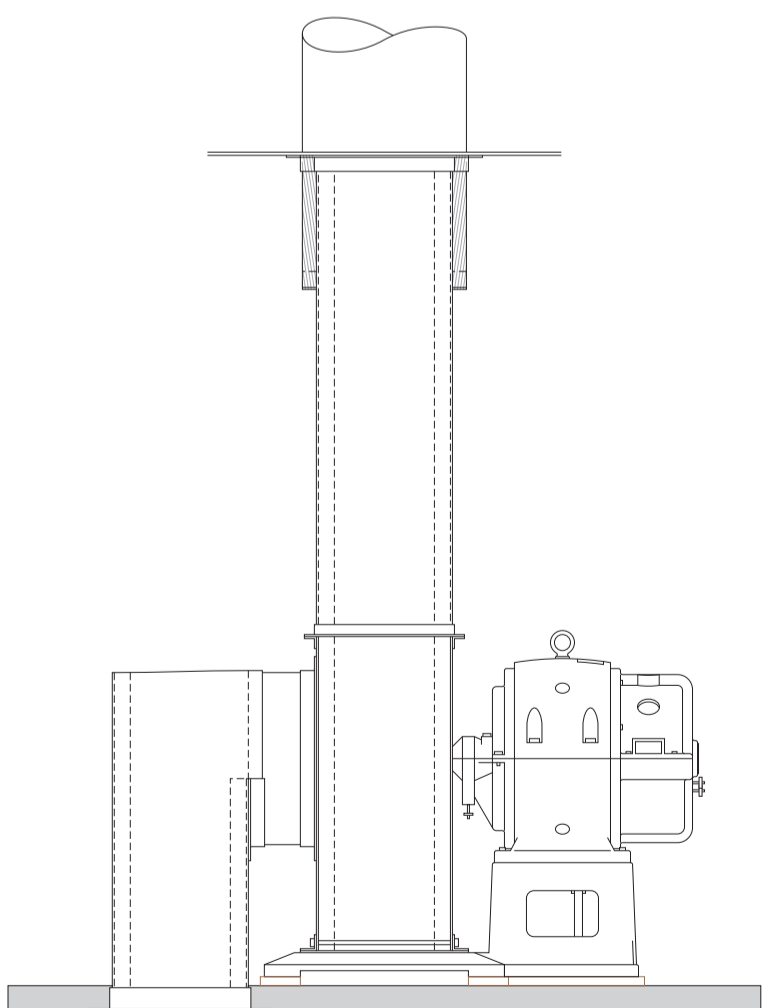
Scale 1:24



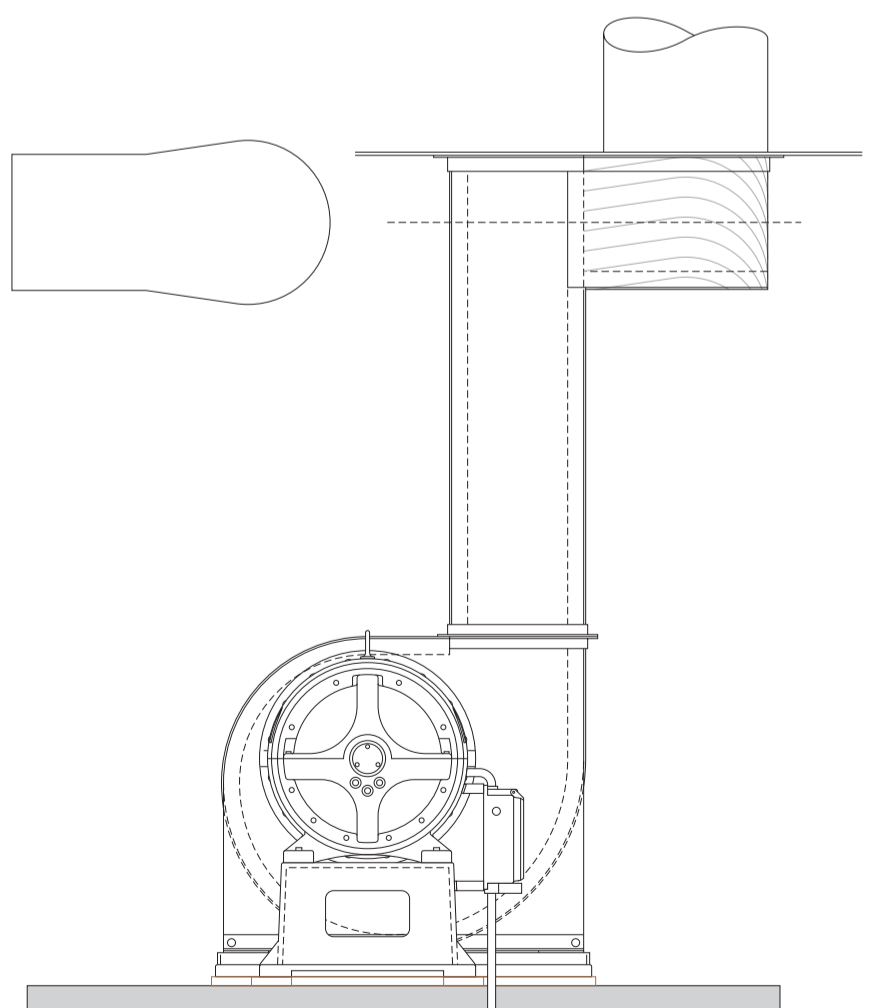
*Port*



*Aft*



*Starboard*

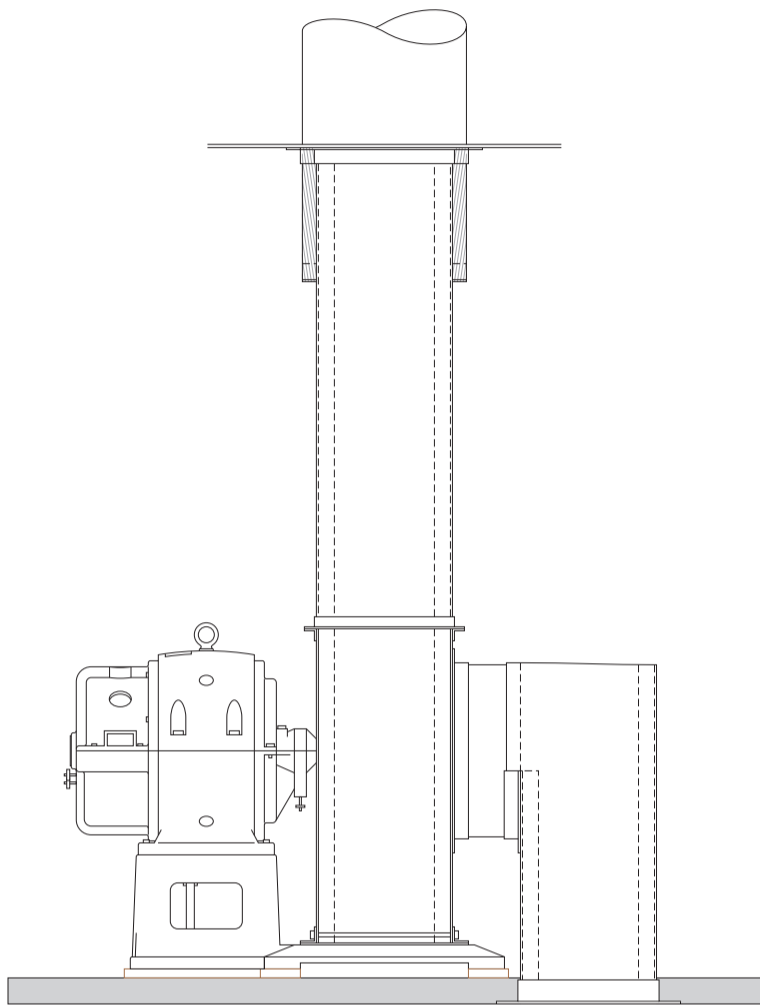


*Forward*

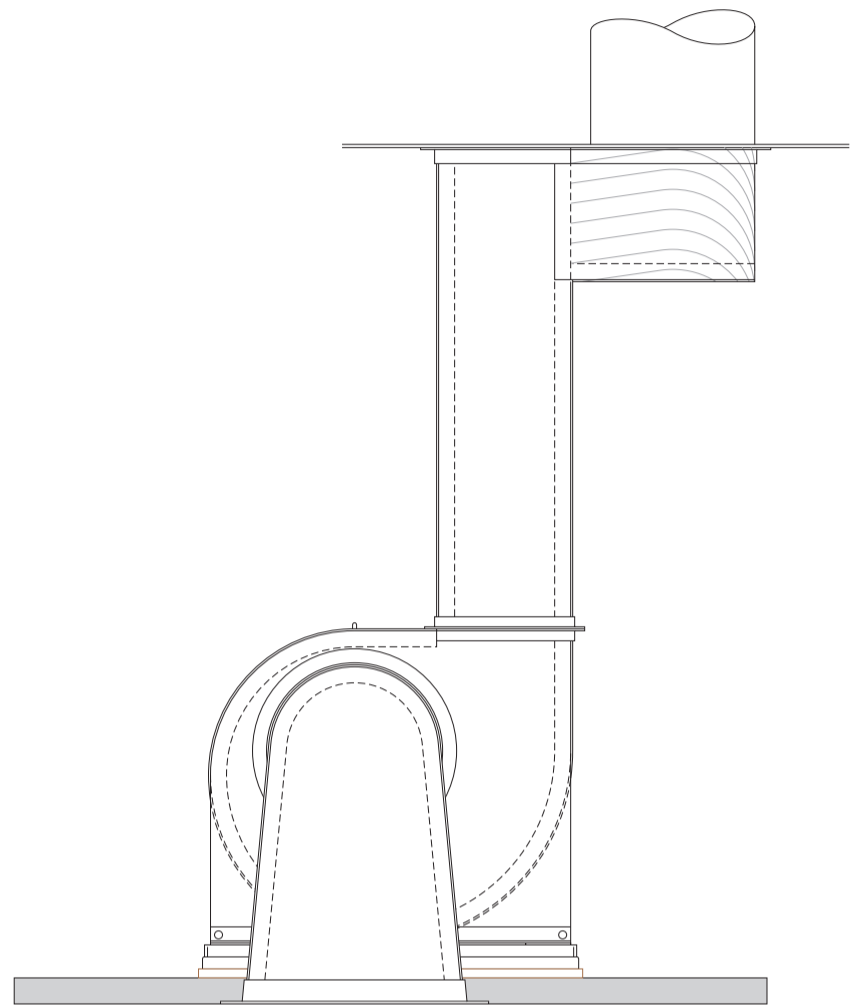


20" SIROCCO FAN, No H24  
S.S. "TITANIC"

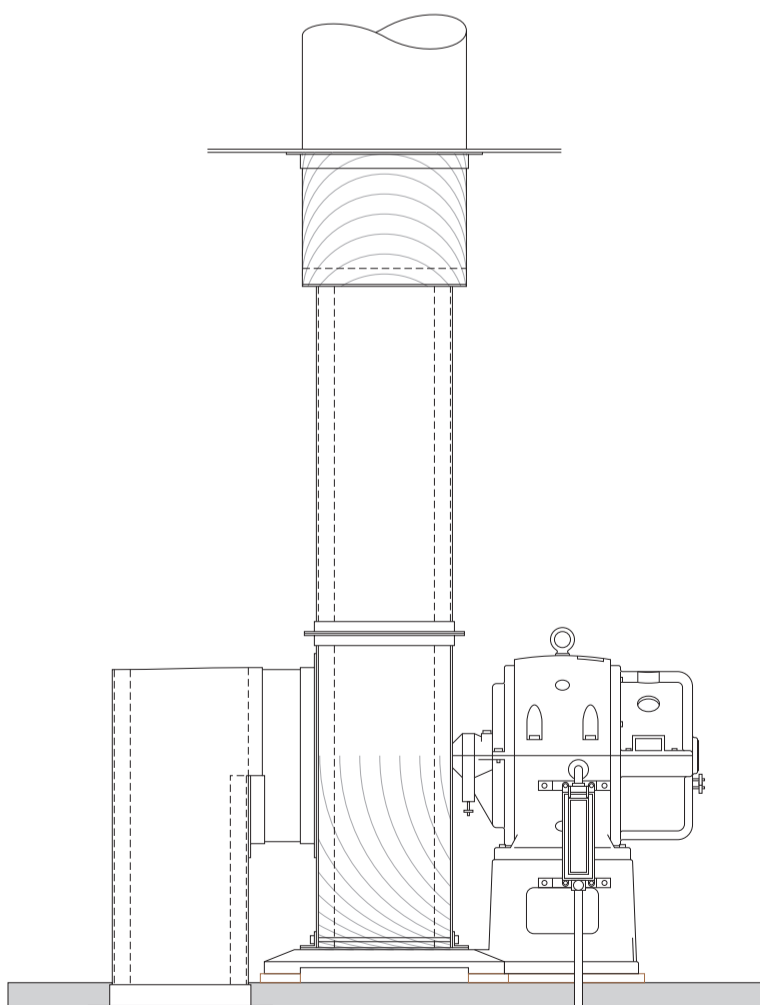
Scale 1:24



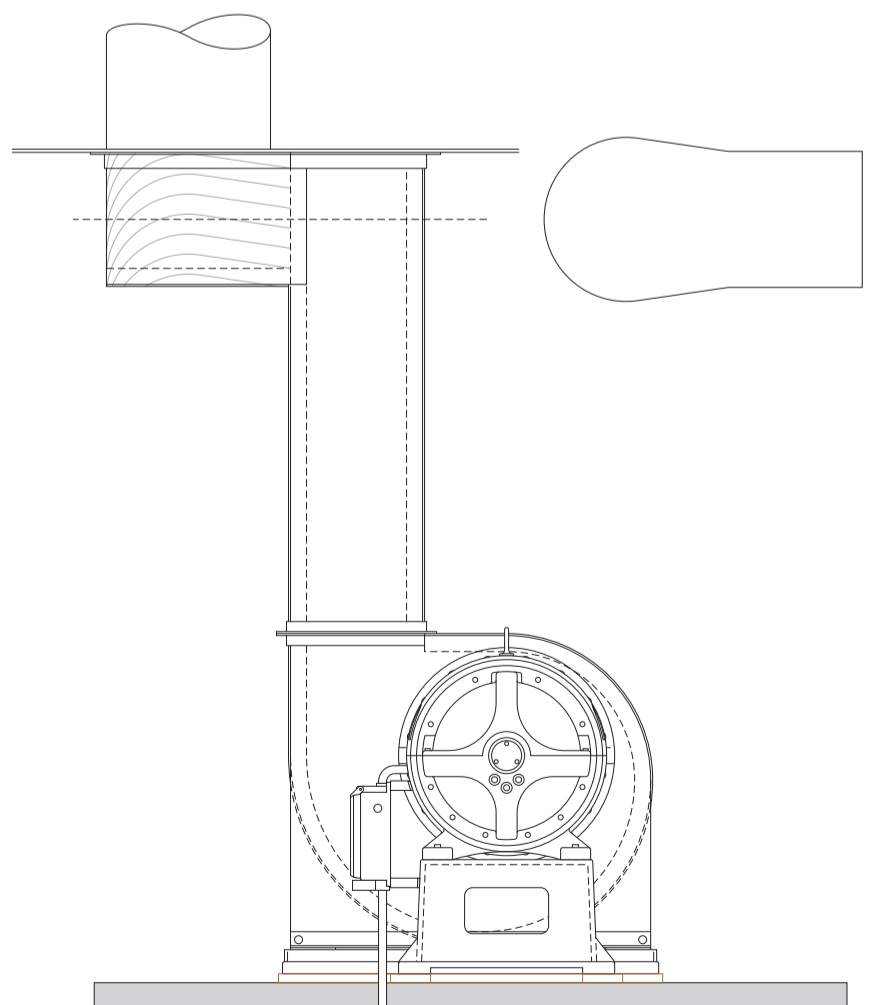
*Port*



*Aft*



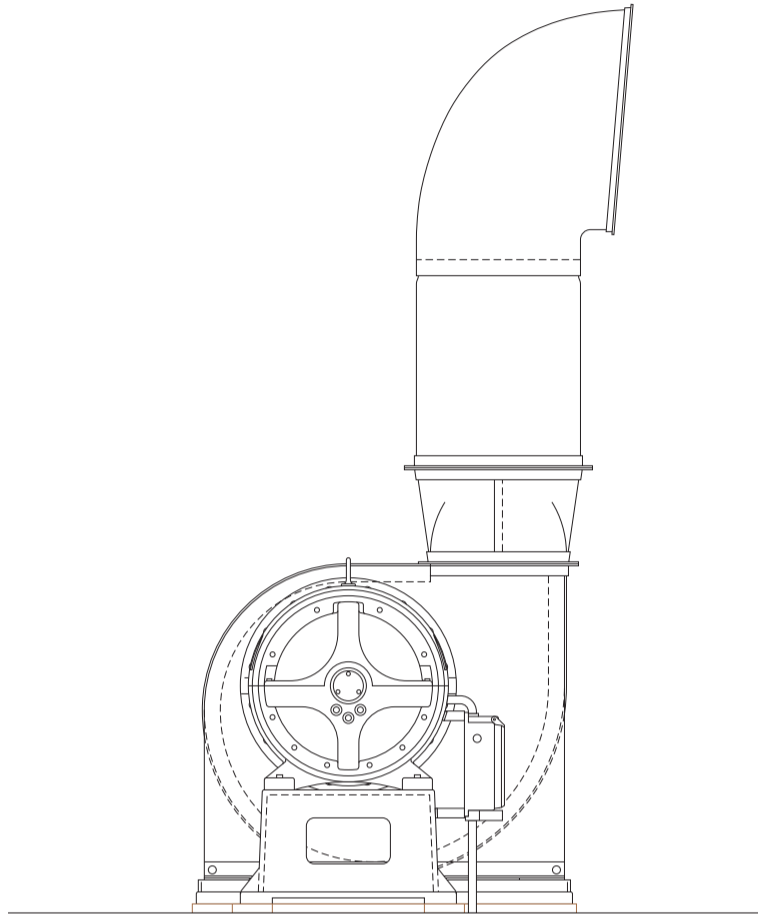
*Starboard*



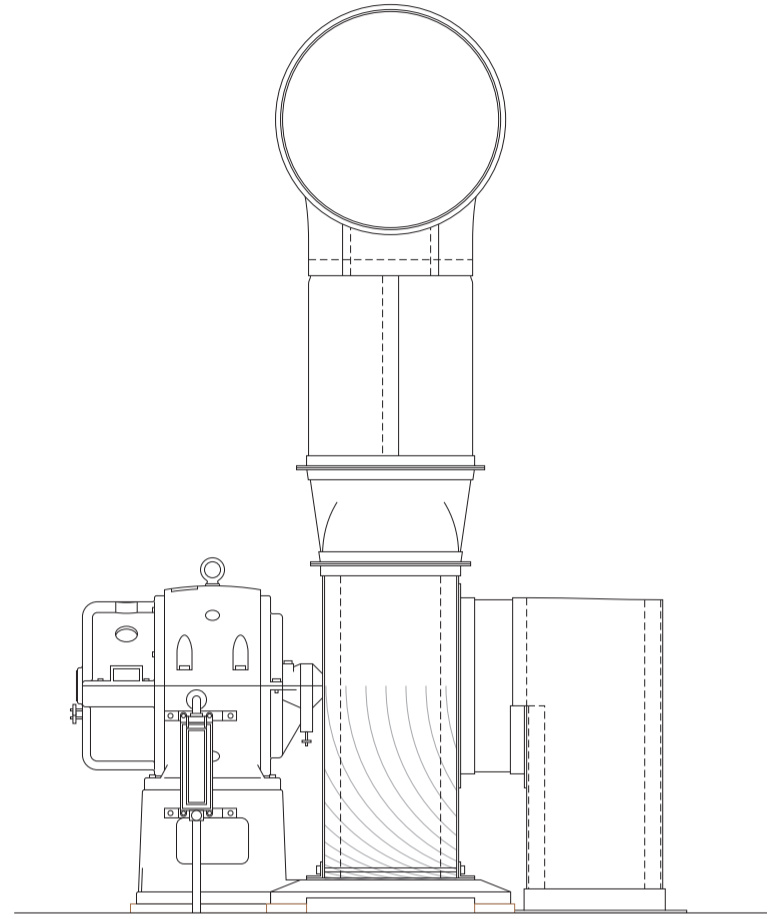
*Forward*

20" SIROCCO FAN, No H25  
S.S. "TITANIC"

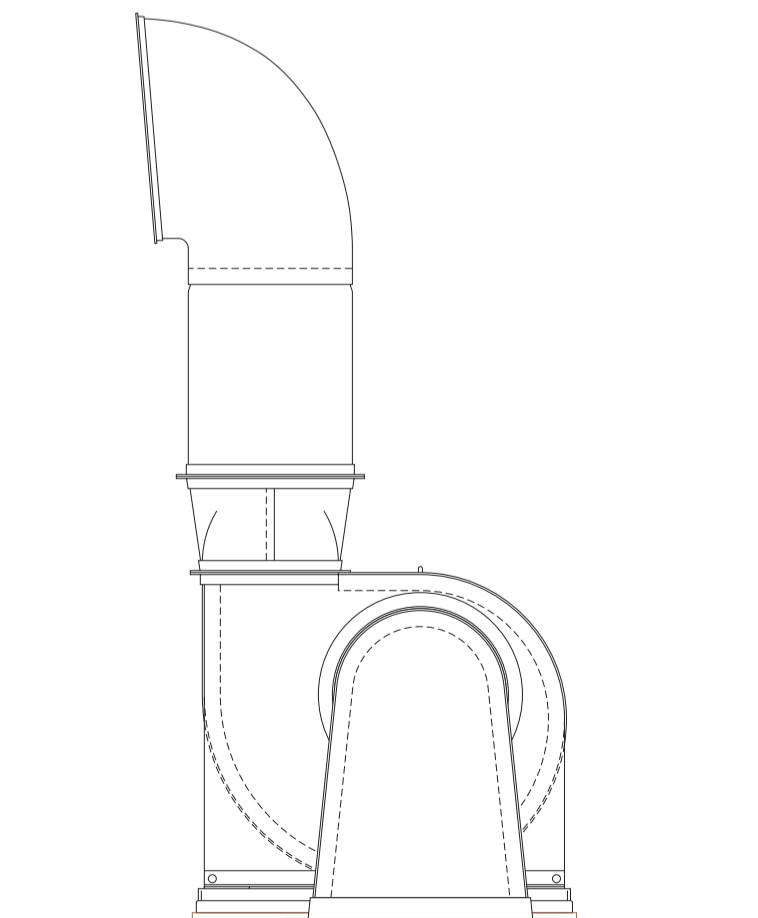
Scale 1:24



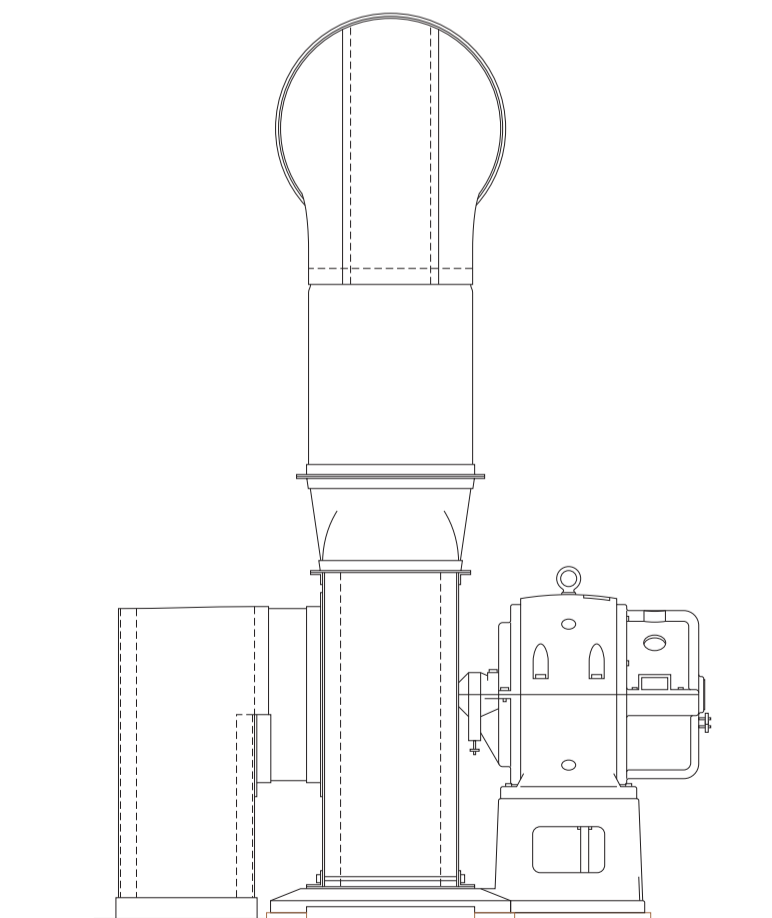
*Port*



*Aft*



*Starboard*



*Forward*





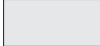
# 2. DELIVERY FANS

## S.S. "TITANIC"

*Version 0.1*

© Oskari Syynimaa 2015

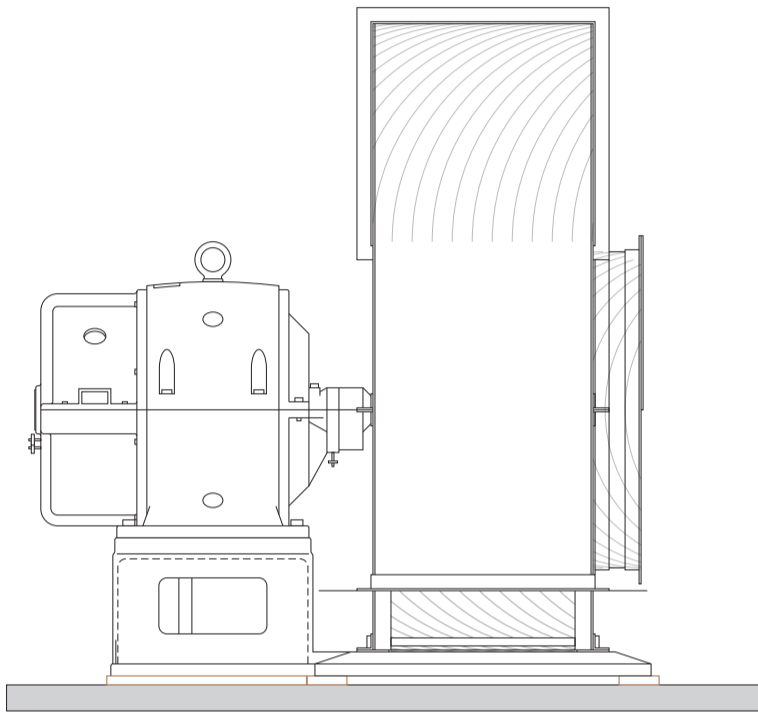
### COLOR EXPLANATIONS

-  *Metal structure*
-  *Wooden structure*
-  *Part of electrical system*
-  *Shape lines*
-  *Cement*

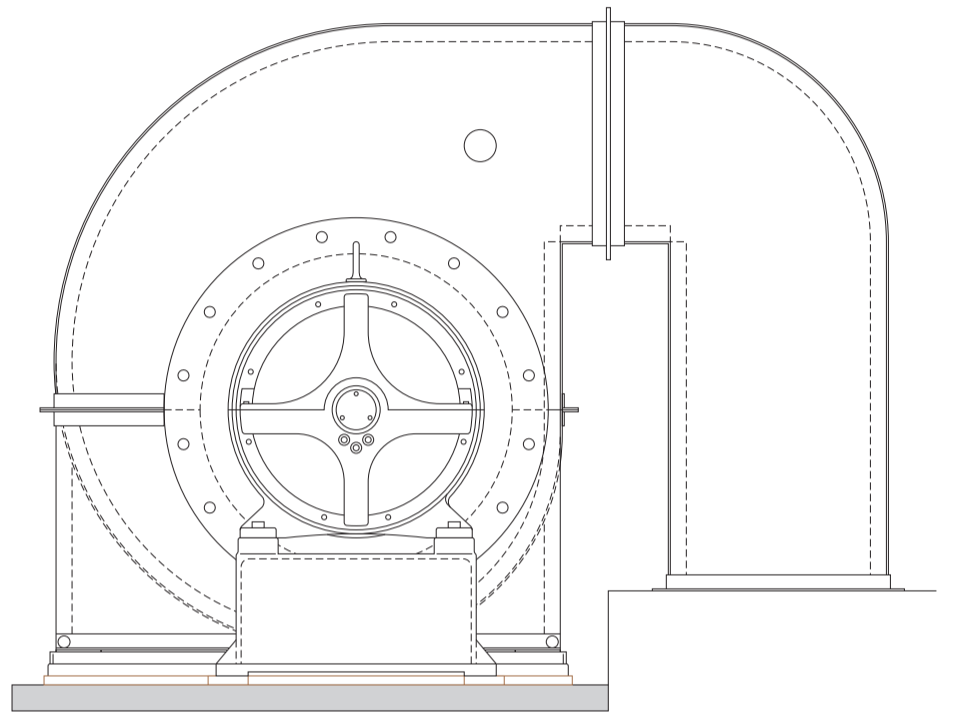
35" SIROCCO FAN, No H50

S.S. "TITANIC"

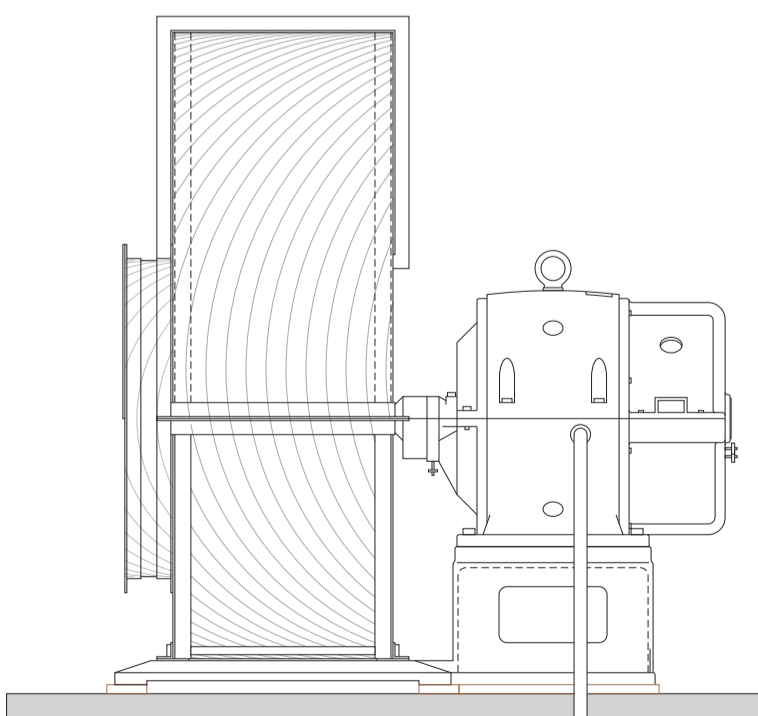
Scale 1:24



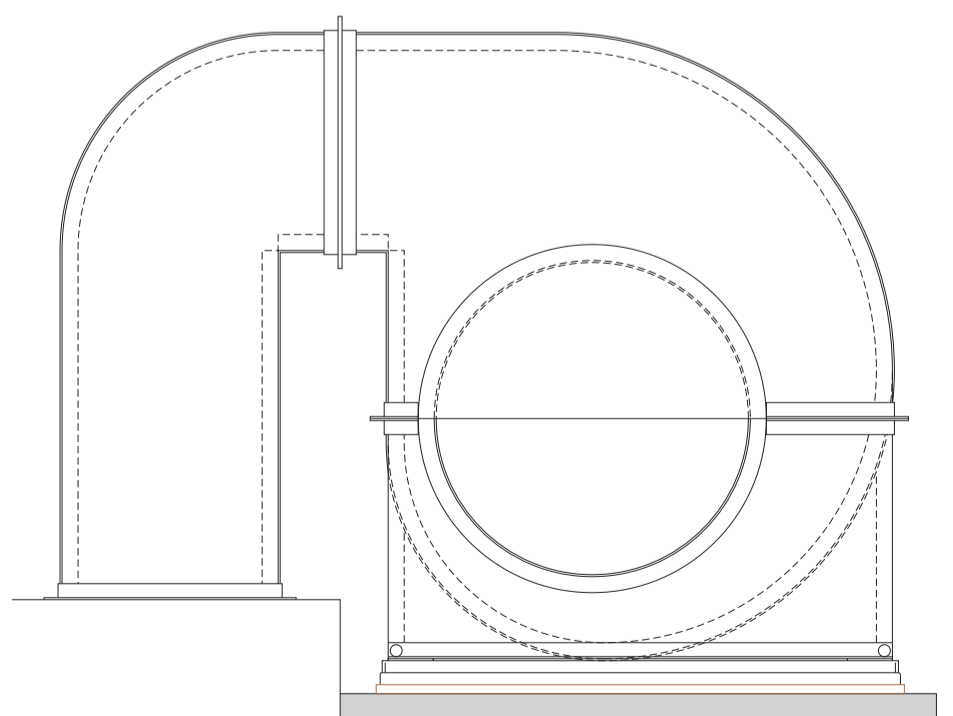
*Port*



*Aft*



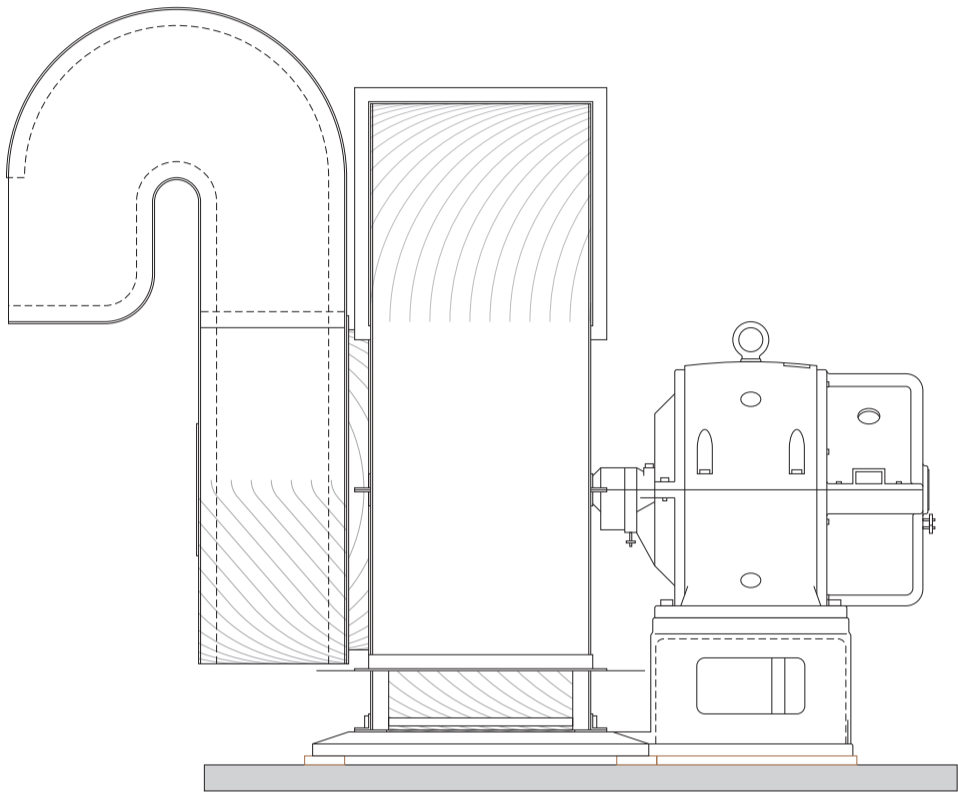
*Starboard*



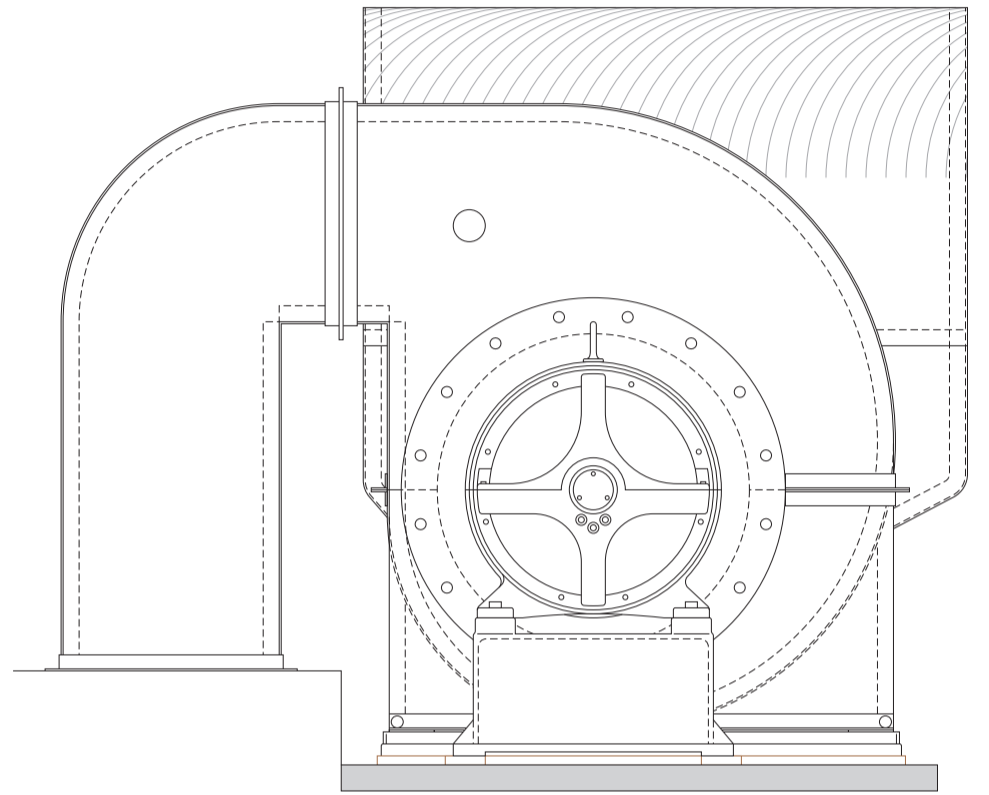
*Forward*

35" SIROCCO FAN, No H51  
S.S. "TITANIC"

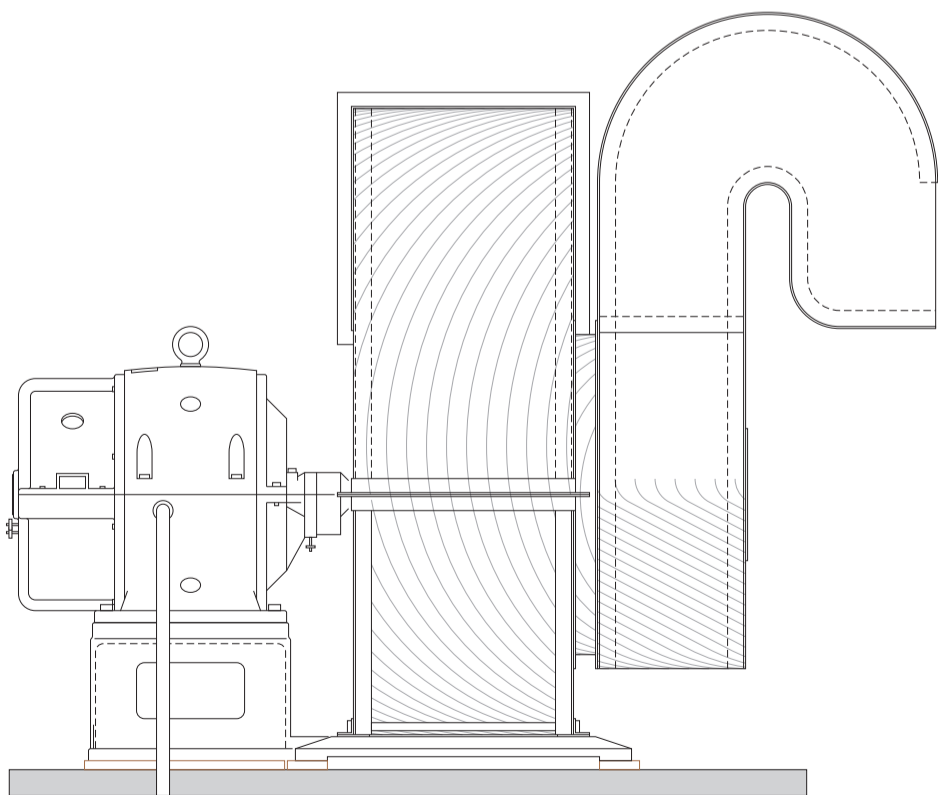
Scale 1:24



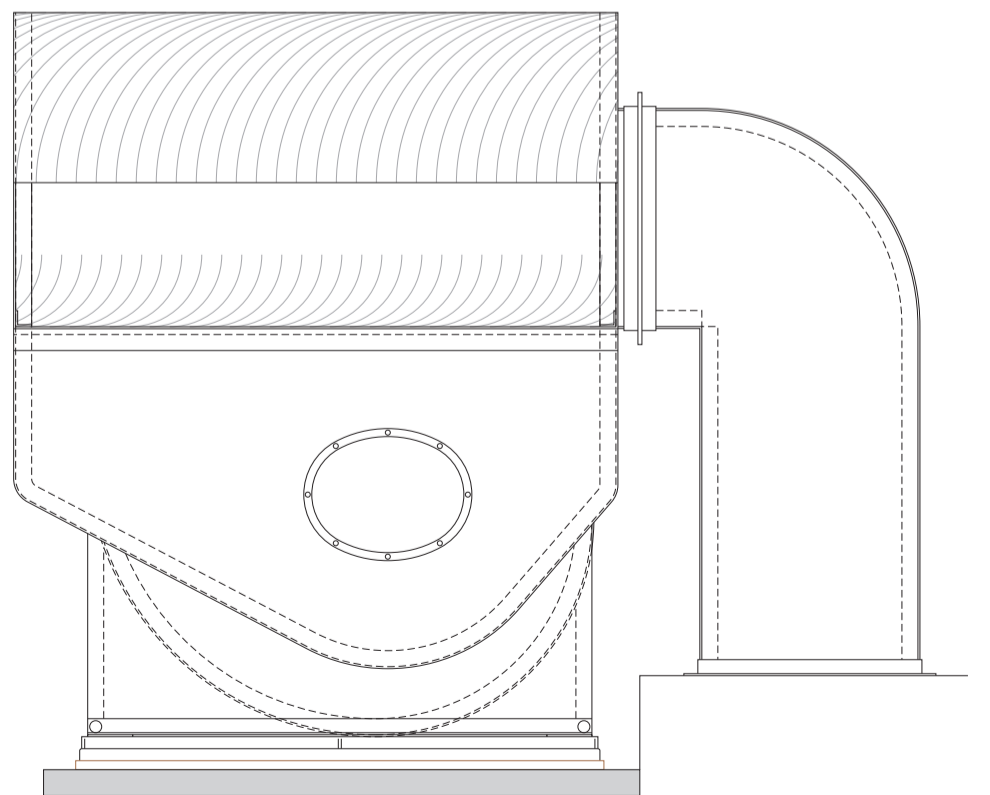
*Port*



*Aft*



*Starboard*

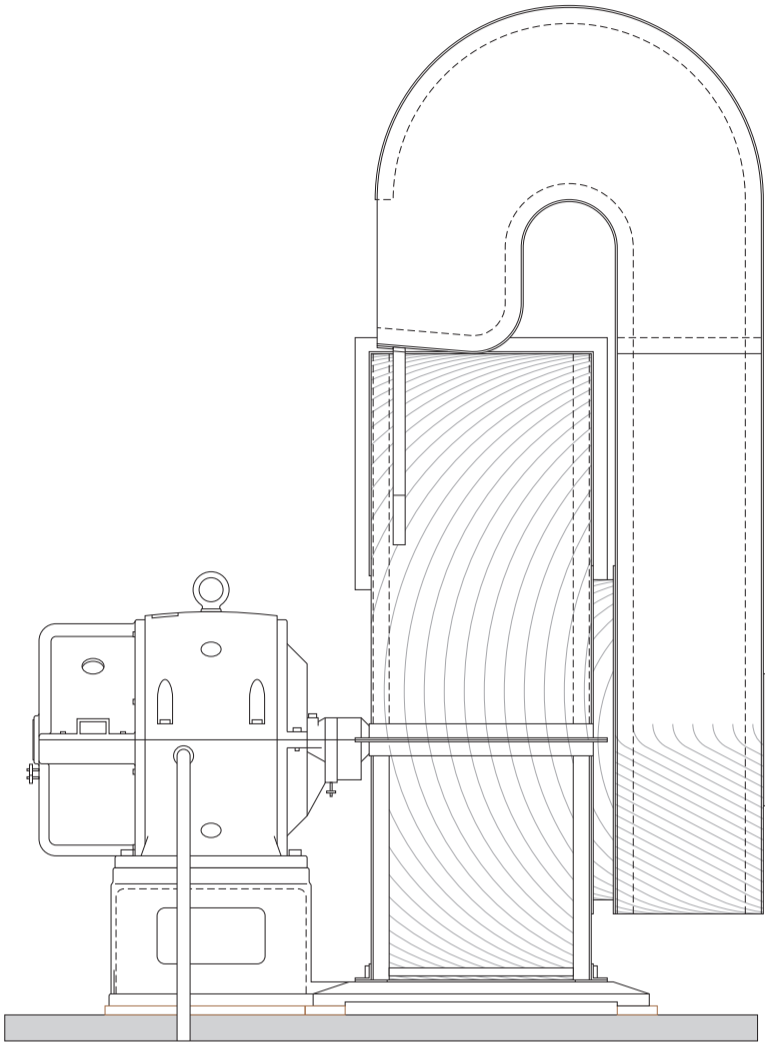


*Forward*

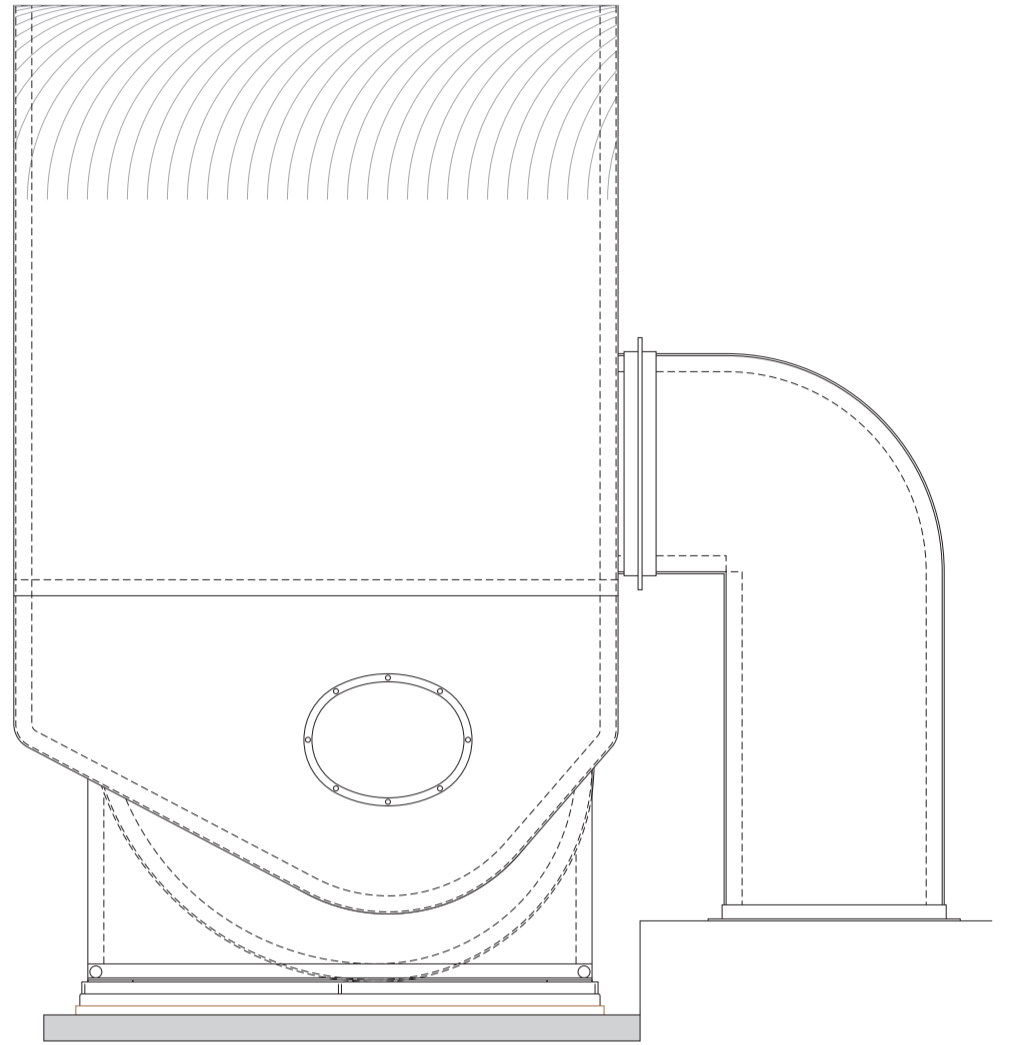
35" SIROCCO FAN, No H52

S.S. "TITANIC"

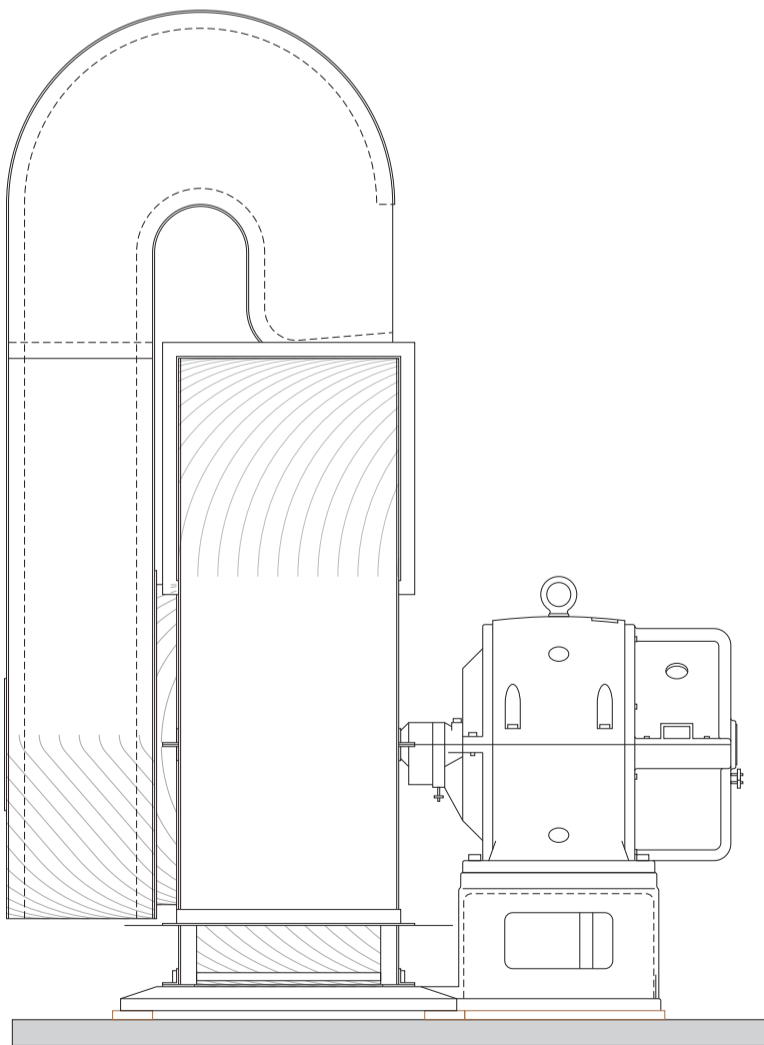
Scale 1:24



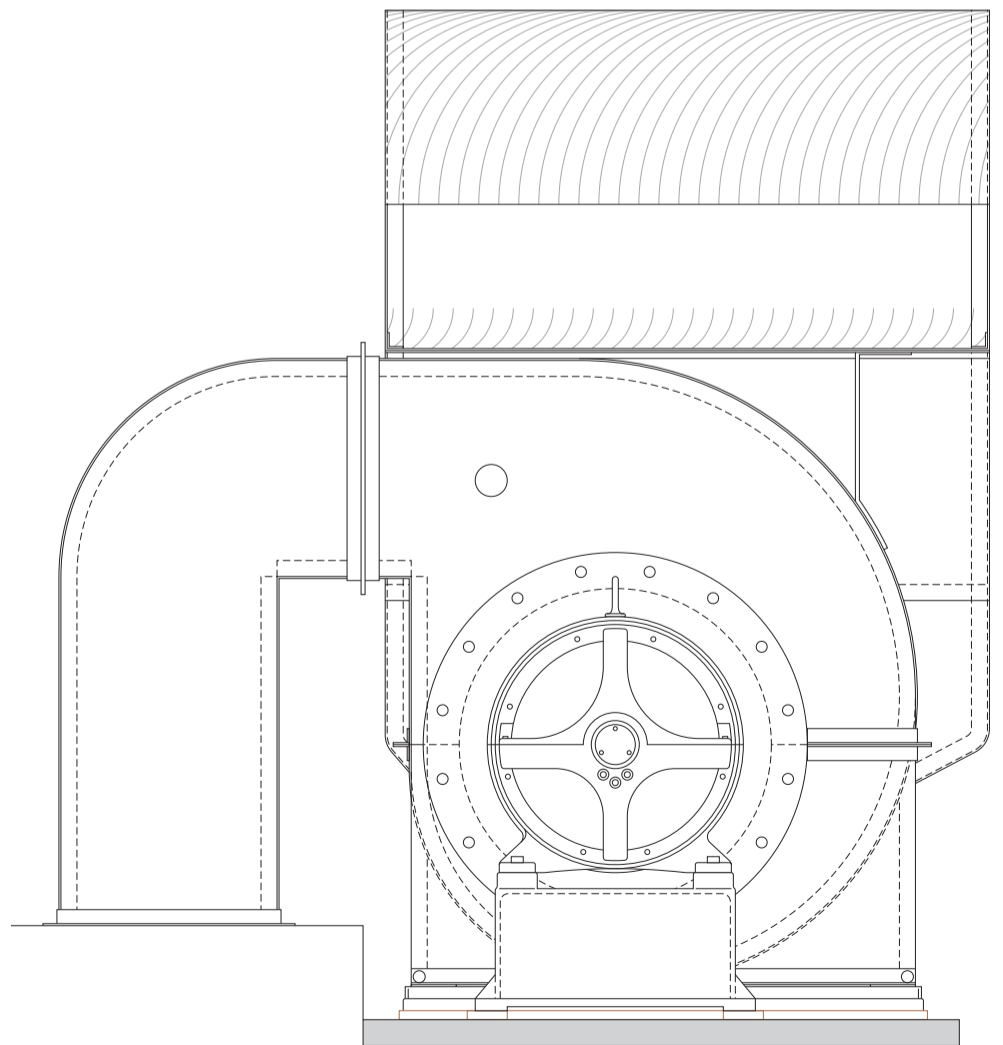
*Port*



*Aft*



*Starboard*

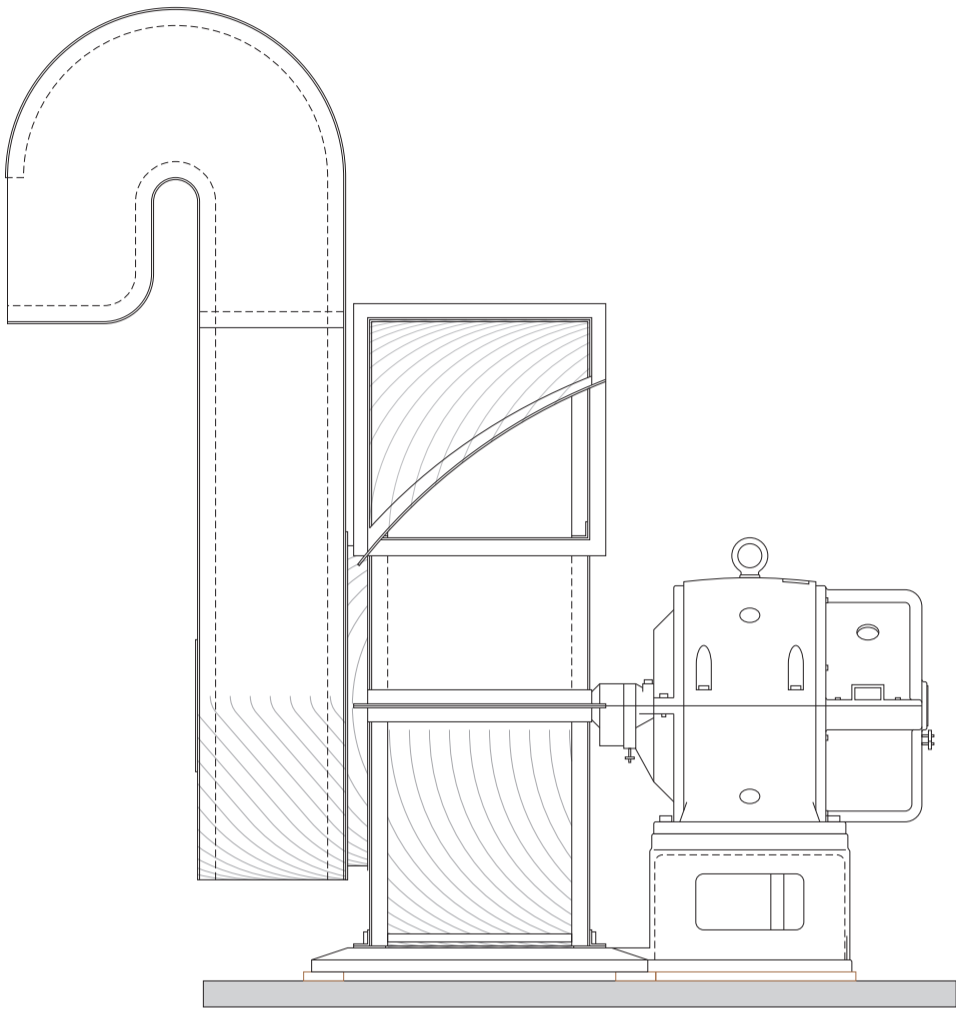


*Forward*

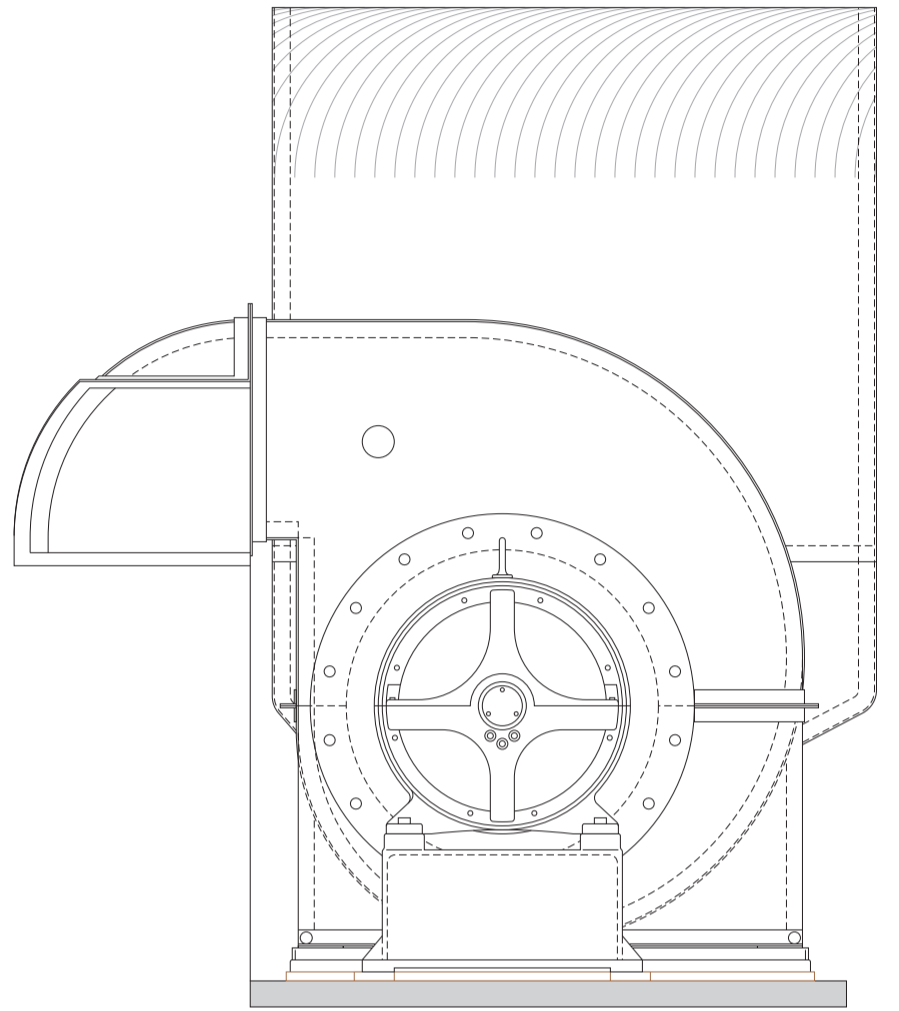
35" SIROCCO FAN, No H53

S.S. "TITANIC"

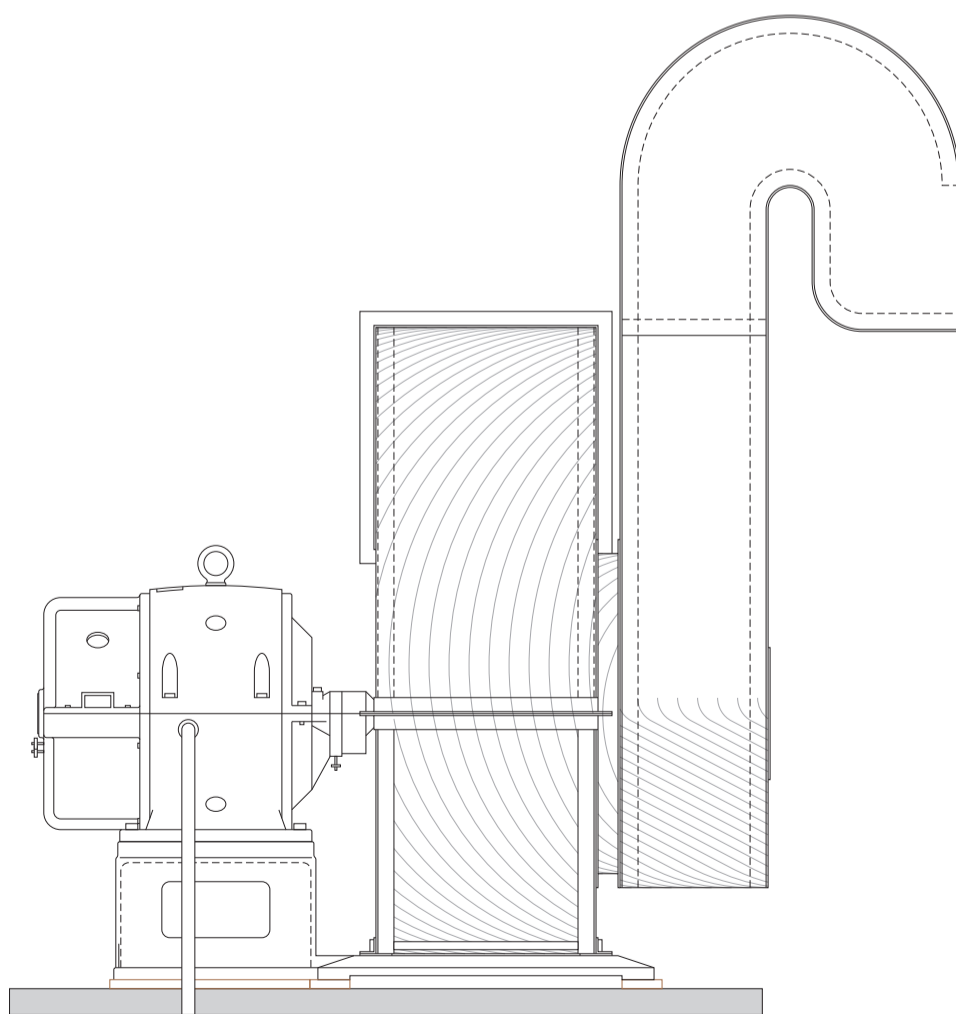
Scale 1:24



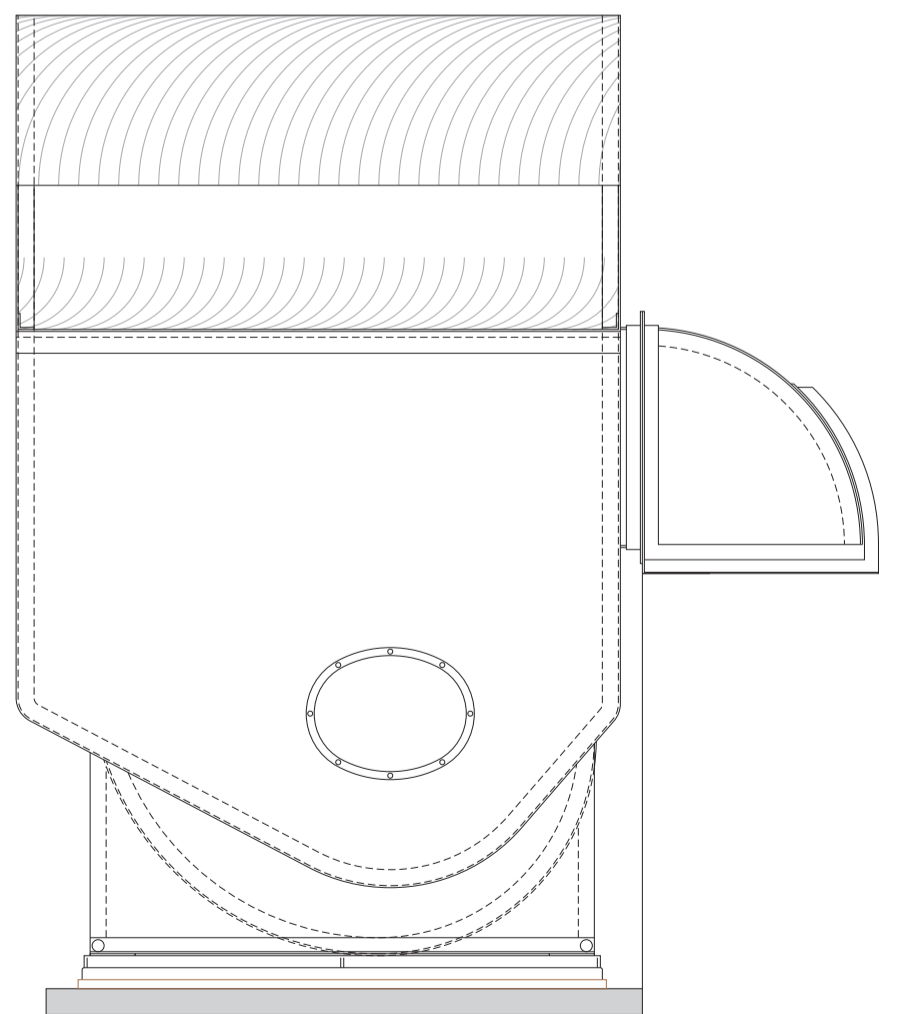
*Port*



*Aft*



*Starboard*

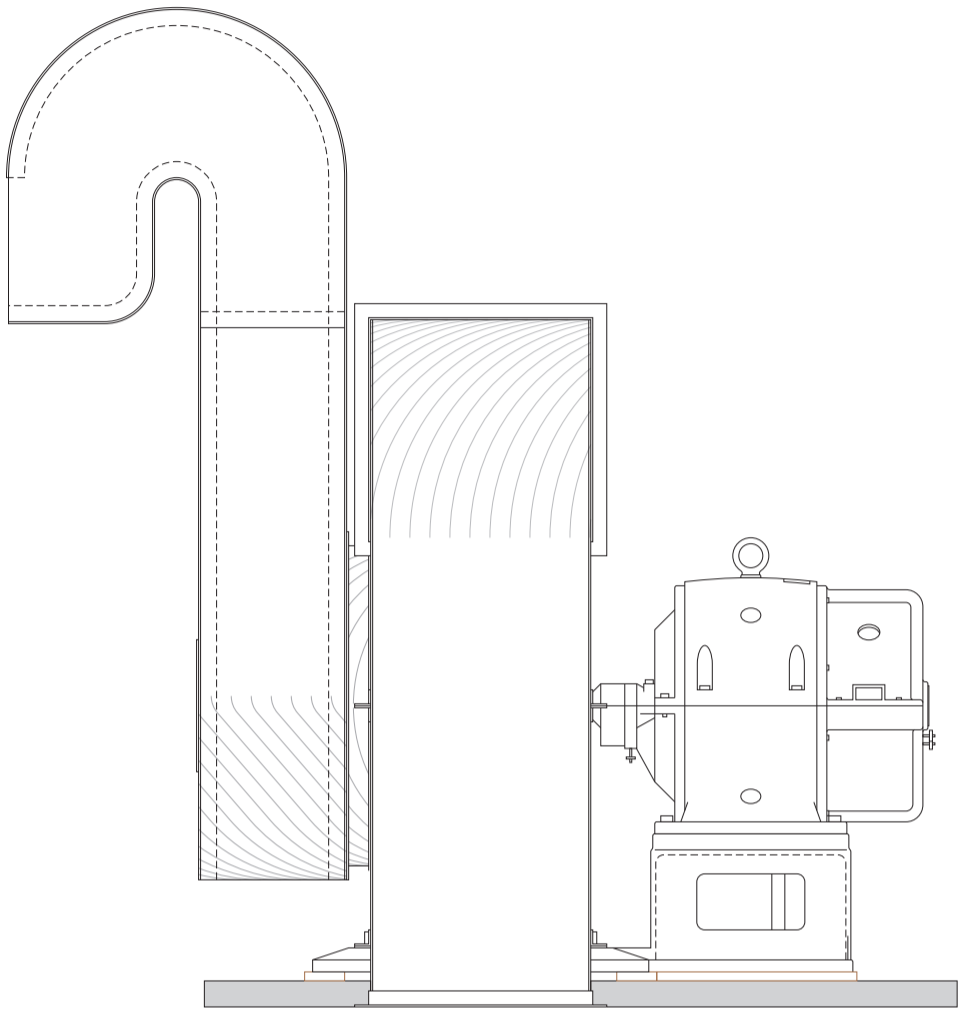


*Forward*

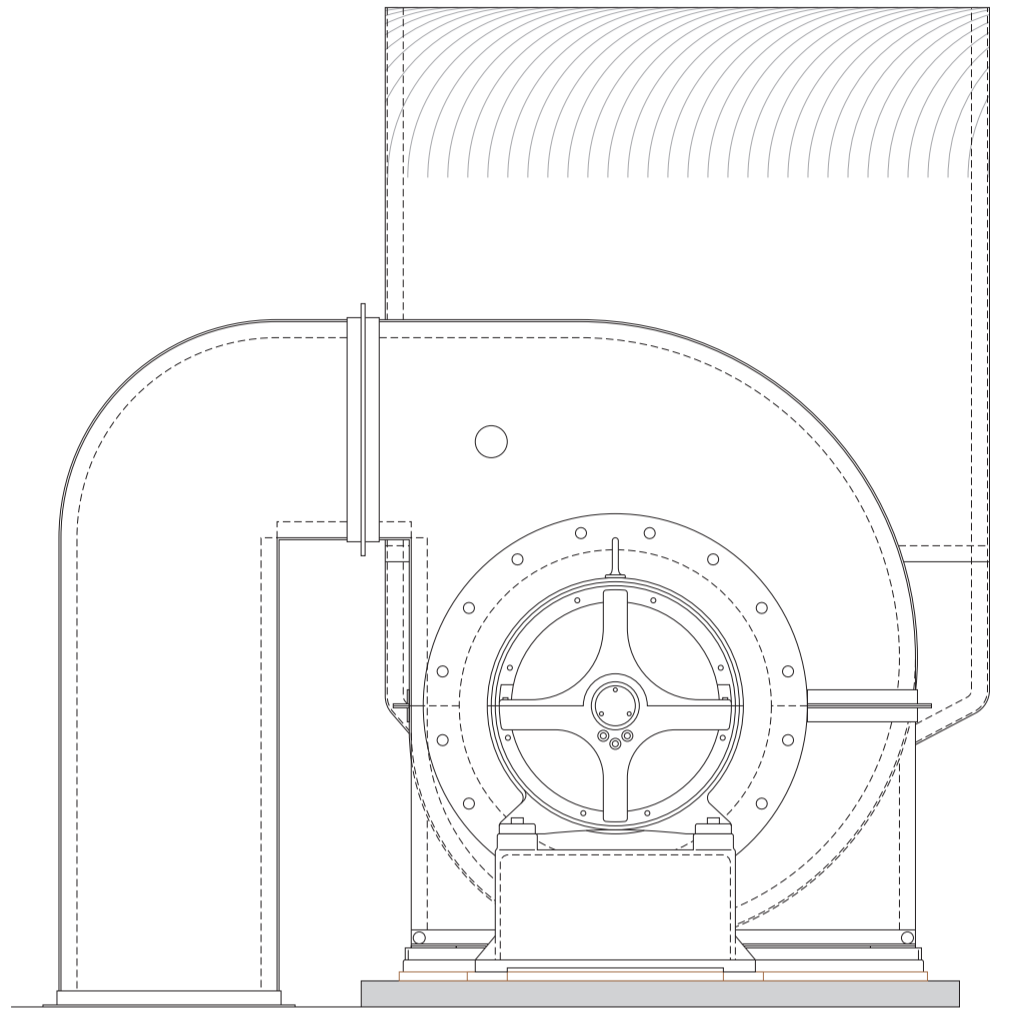
35" SIROCCO FAN, No H55

S.S. "TITANIC"

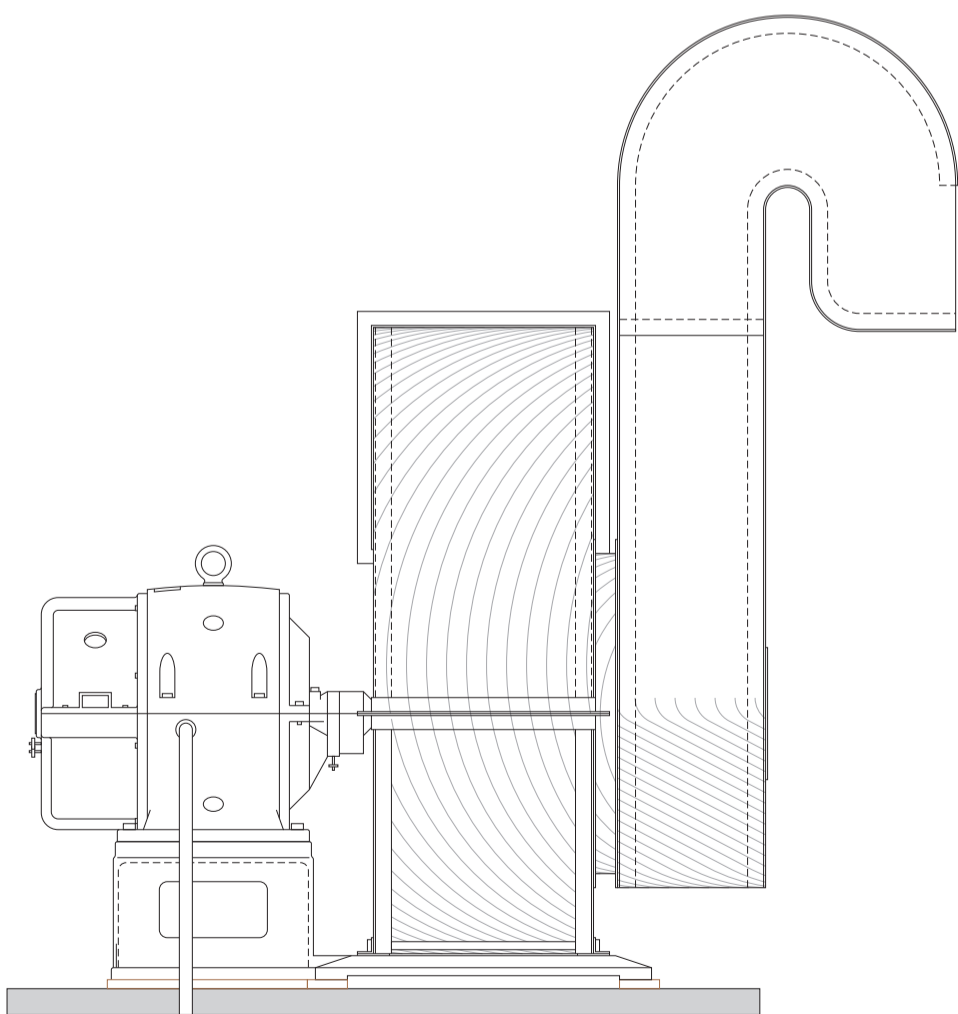
Scale 1:24



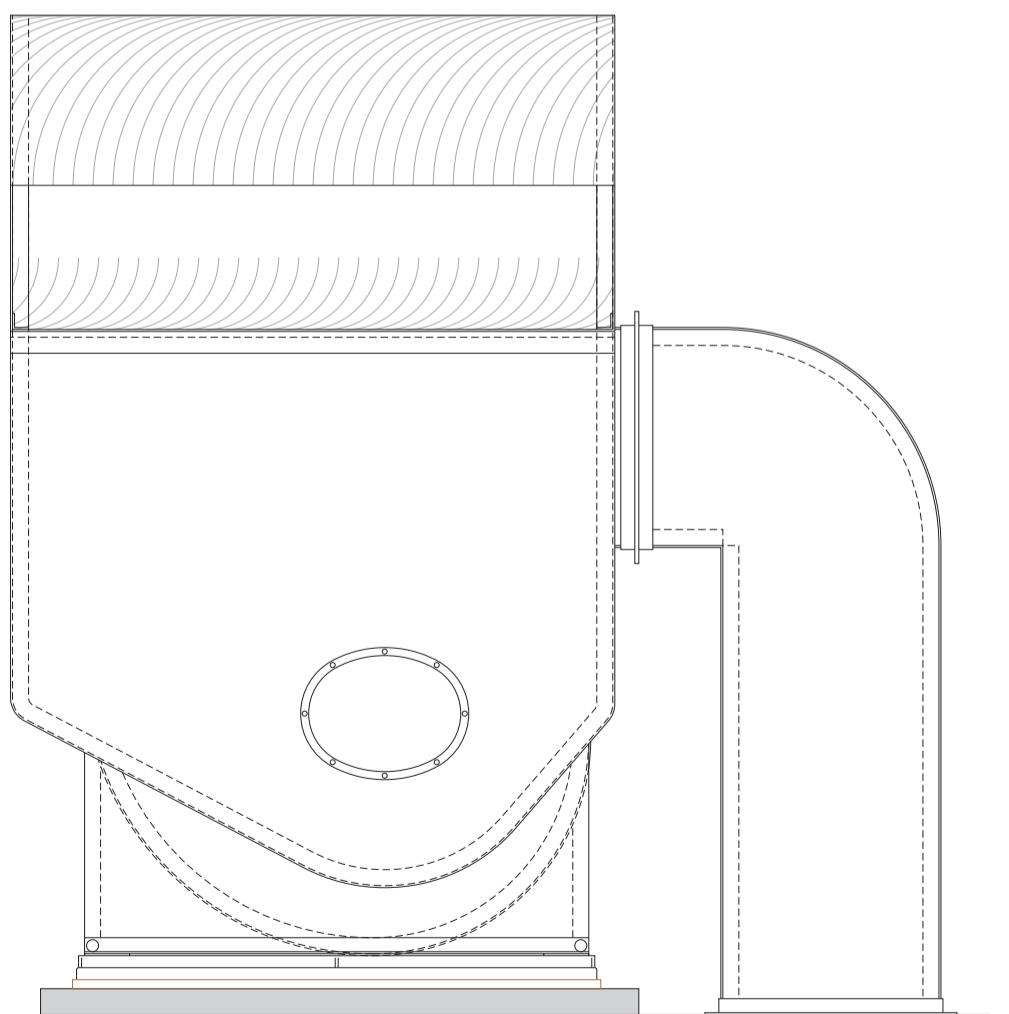
*Port*



*Aft*



*Starboard*



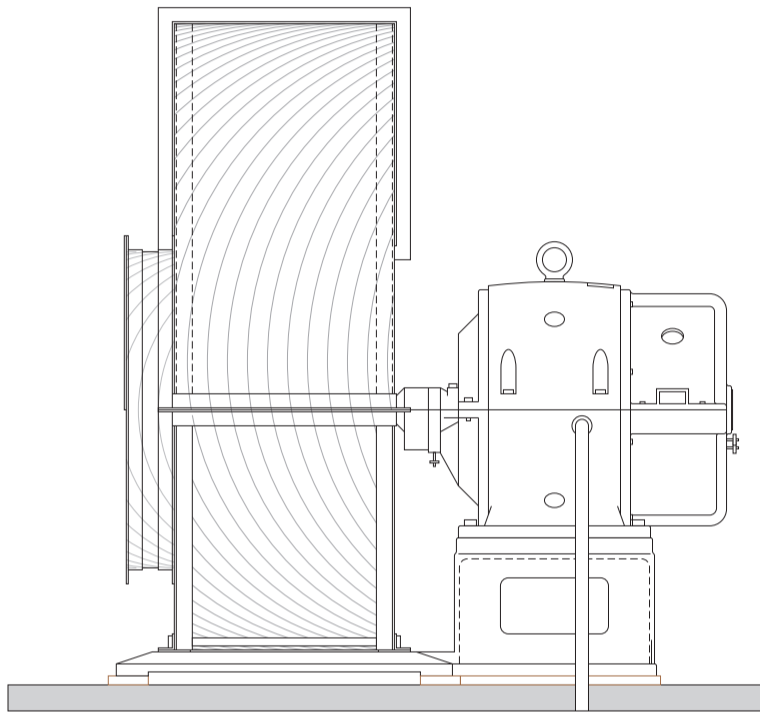
*Forward*



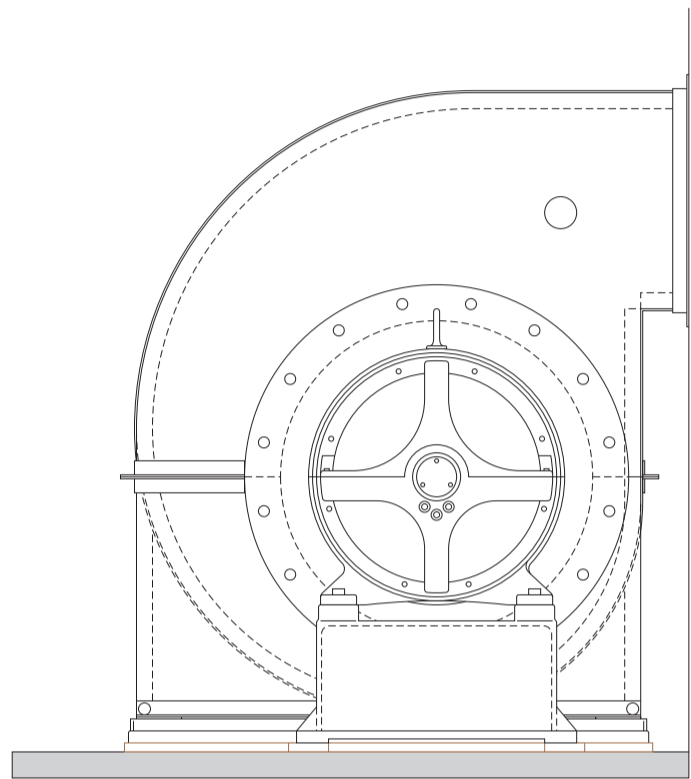
35" SIROCCO FAN, No H56

S.S. "TITANIC"

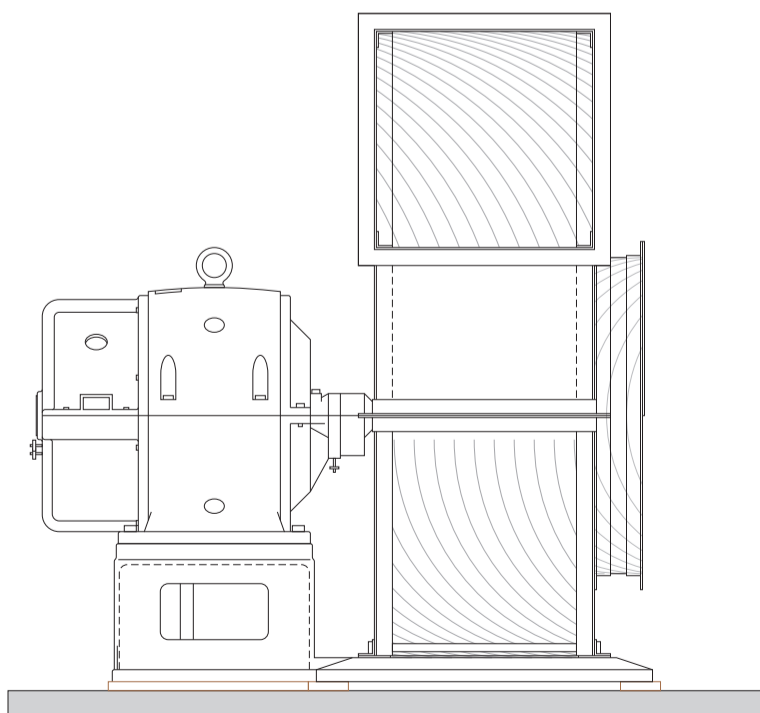
Scale 1:24



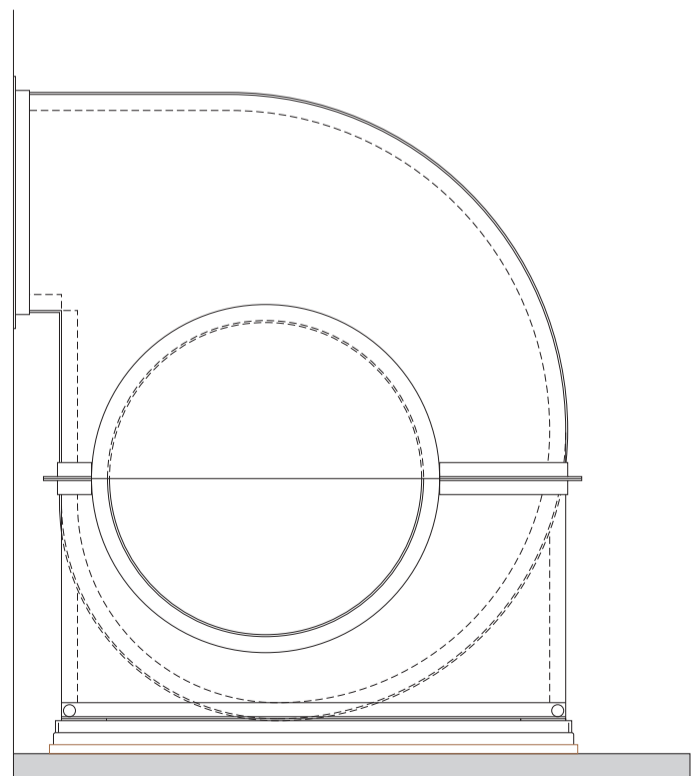
*Port*



*Aft*



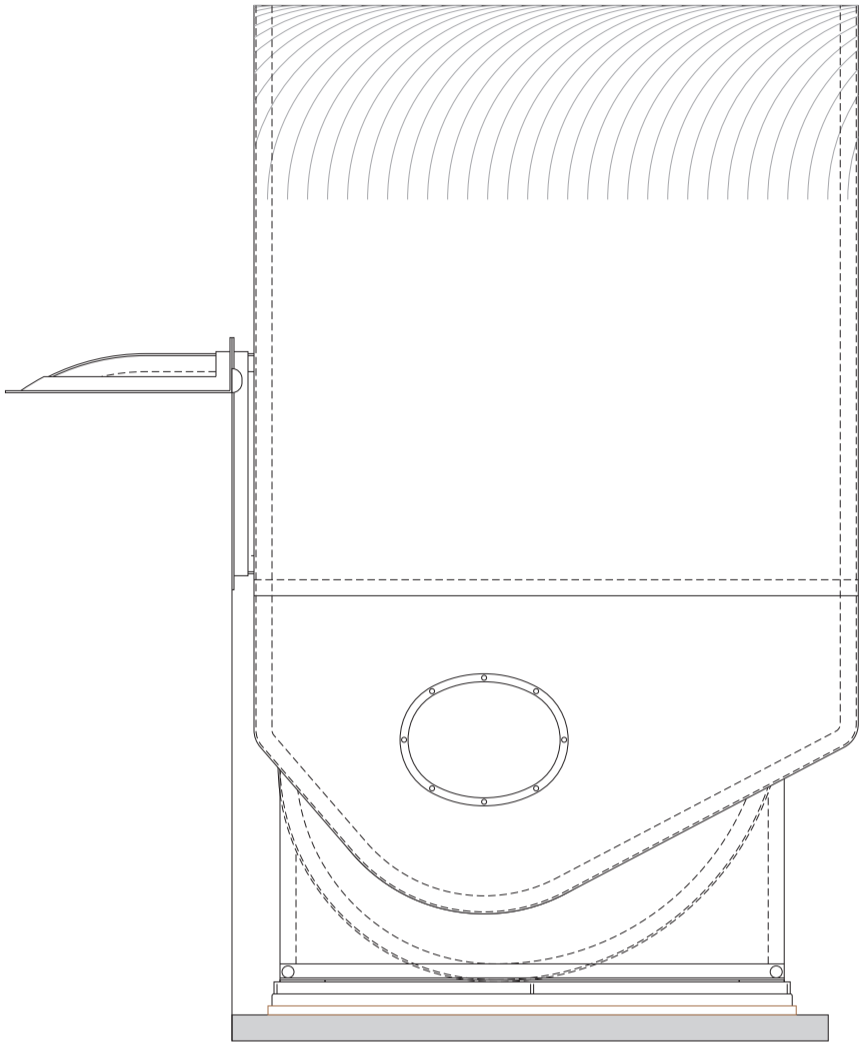
*Starboard*



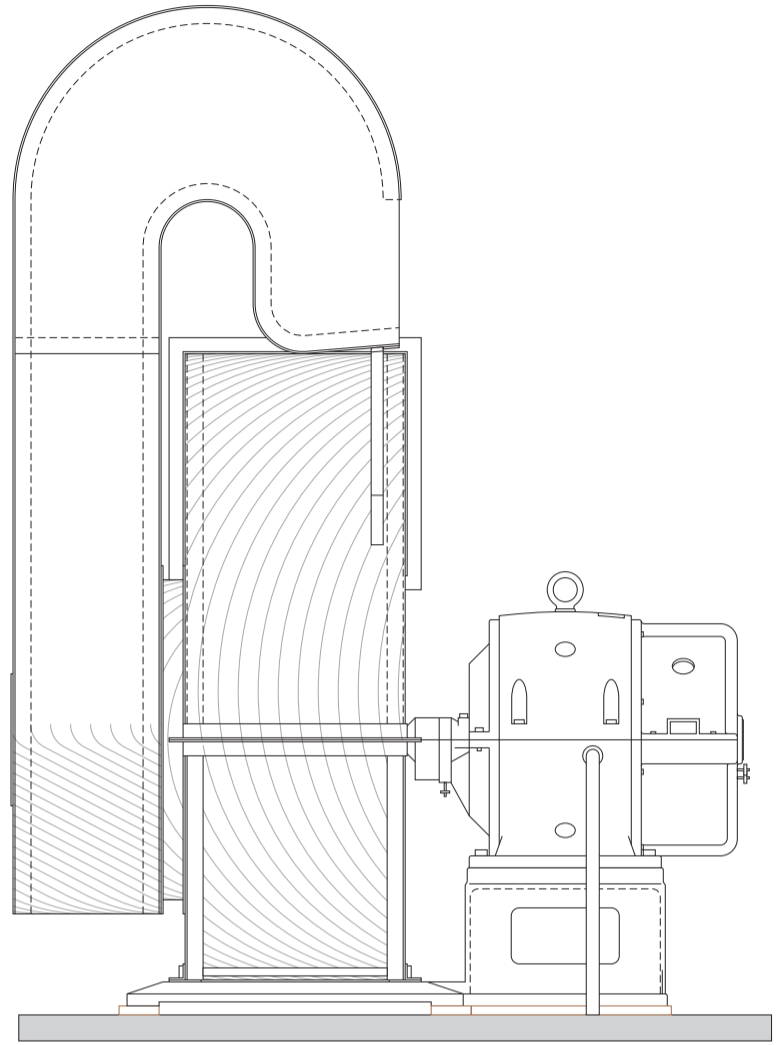
*Forward*

35" SIROCCO FAN, No H57  
S.S. "TITANIC"

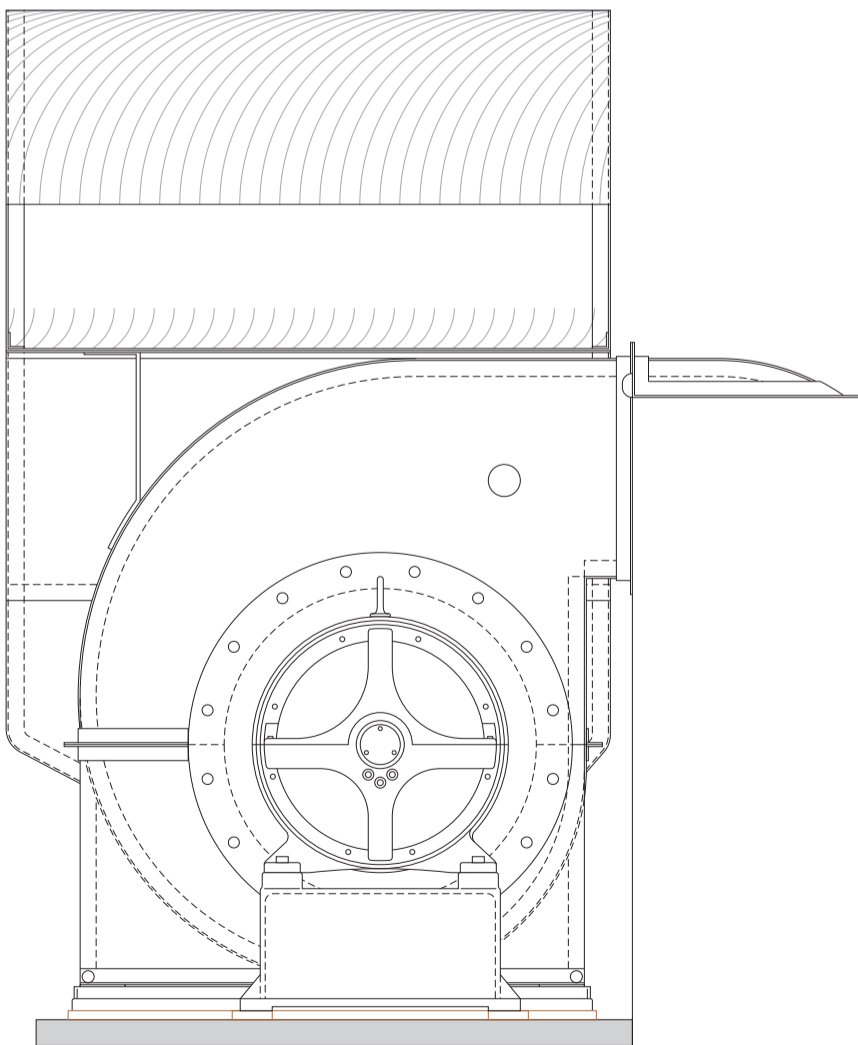
Scale 1:24



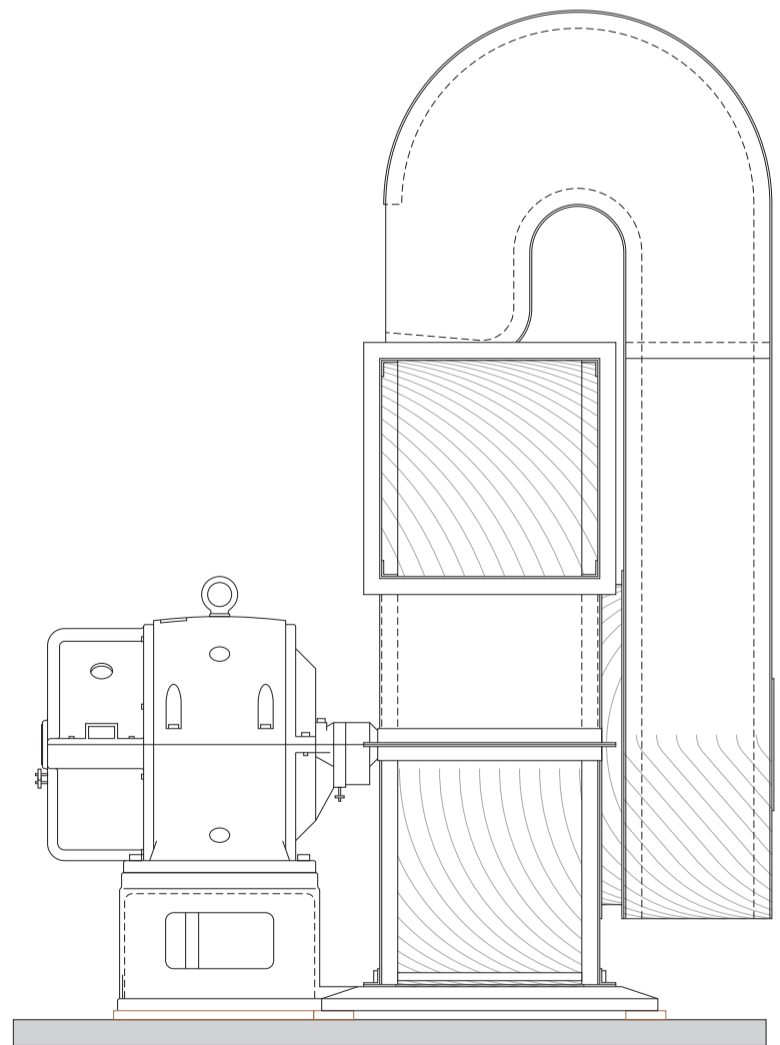
*Port*



*Aft*



*Starboard*

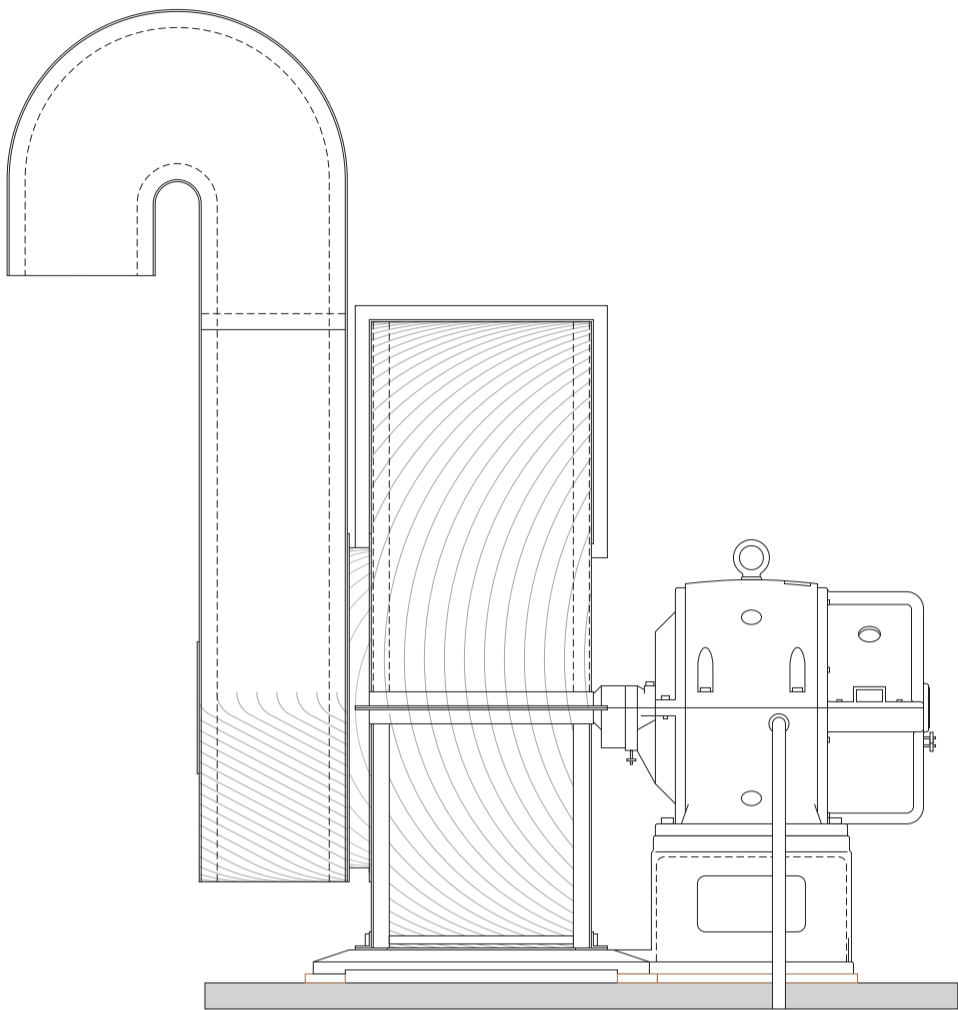


*Forward*

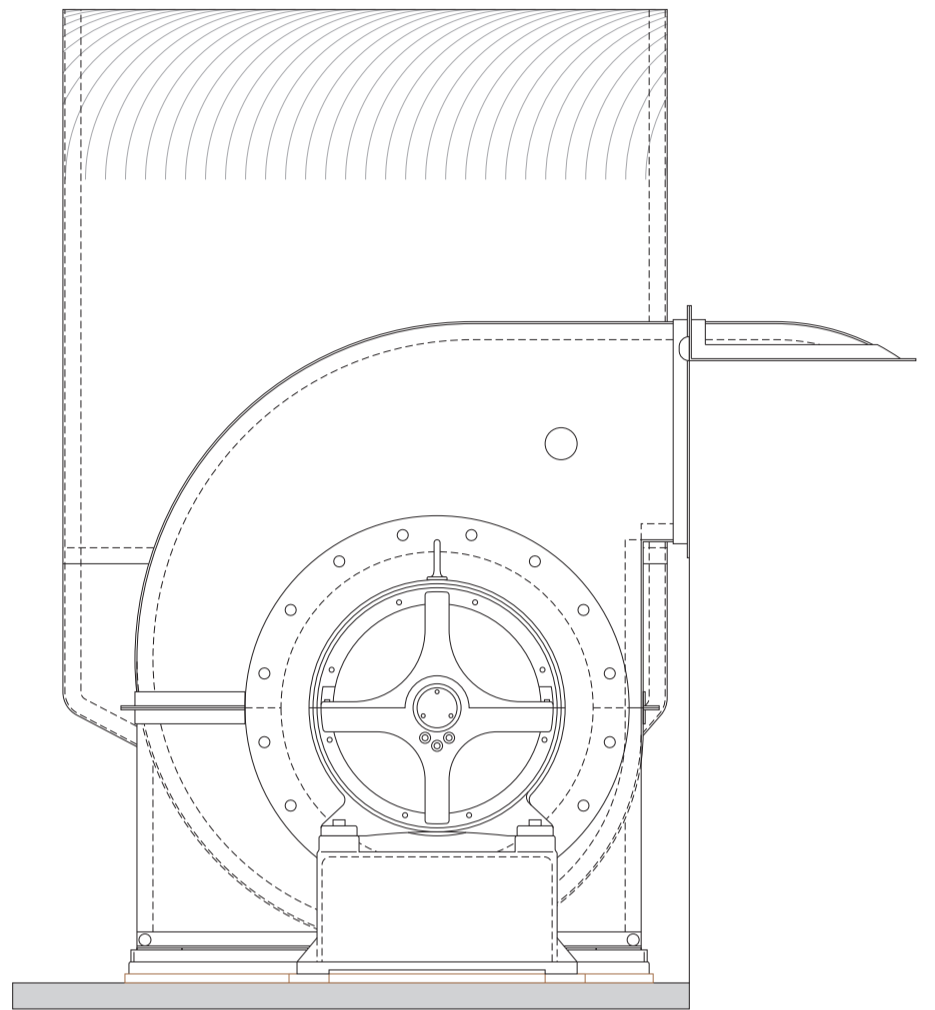
35" SIROCCO FAN, No H58

S.S. "TITANIC"

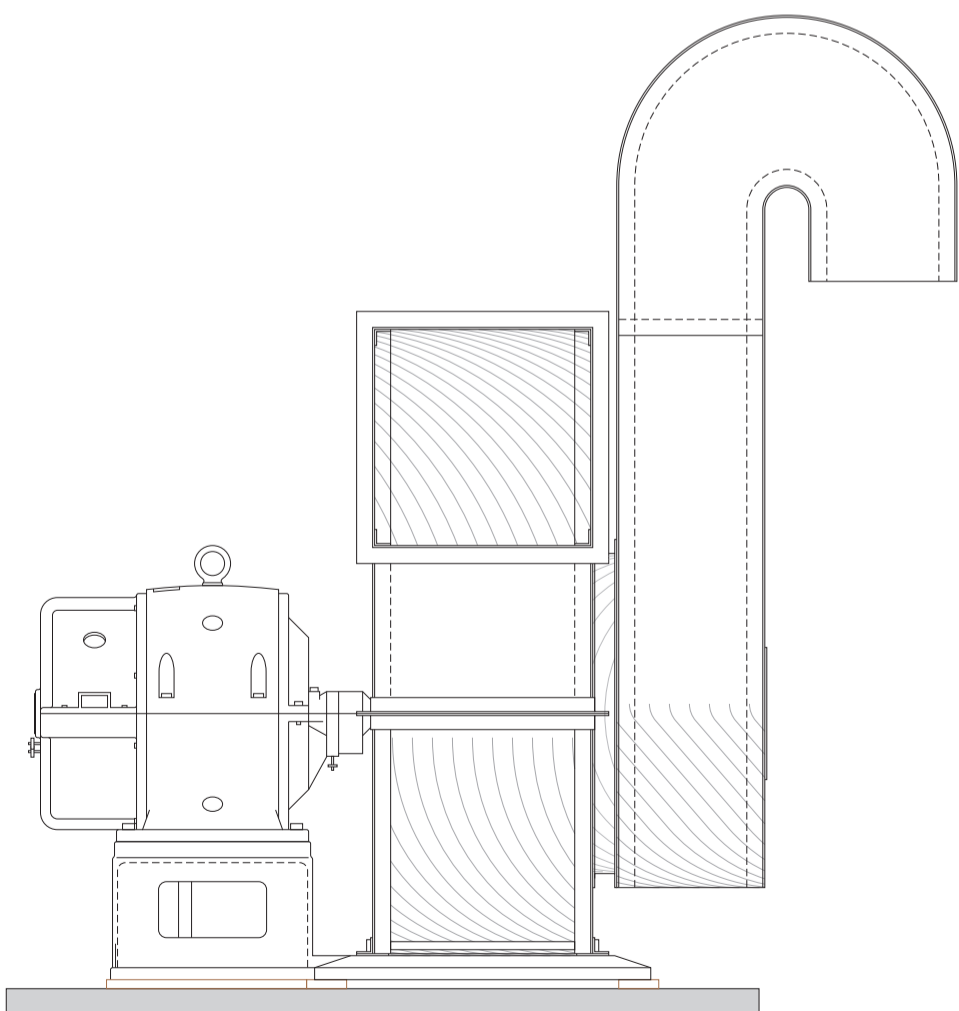
Scale 1:24



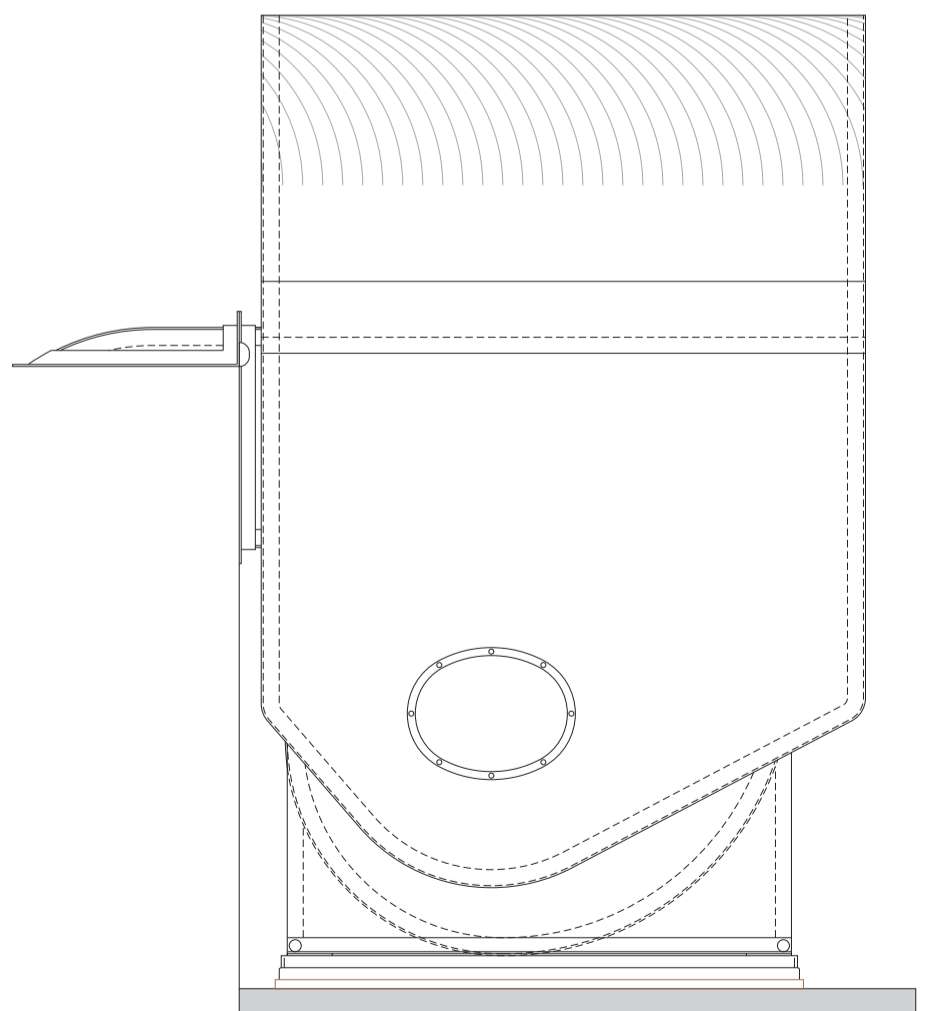
*Port*



*Aft*



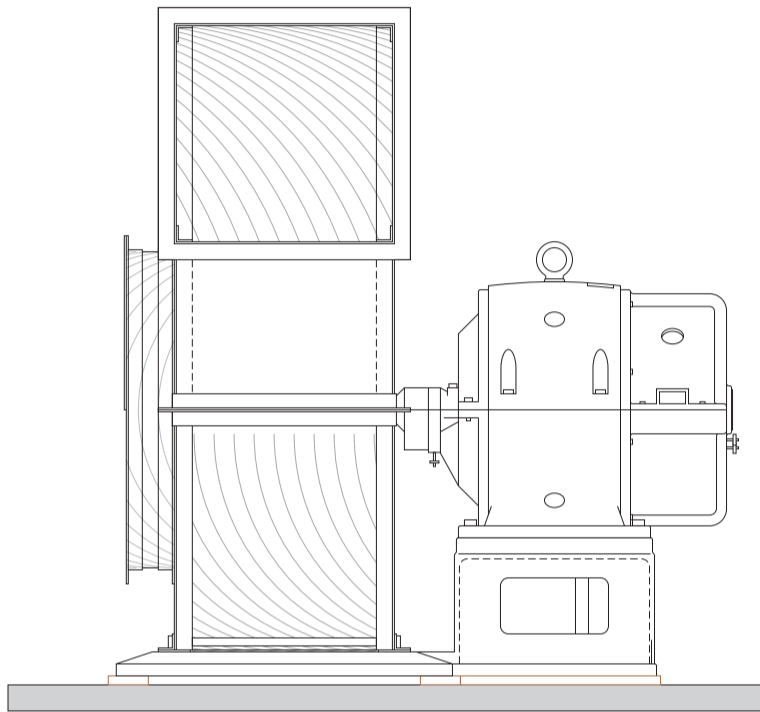
*Starboard*



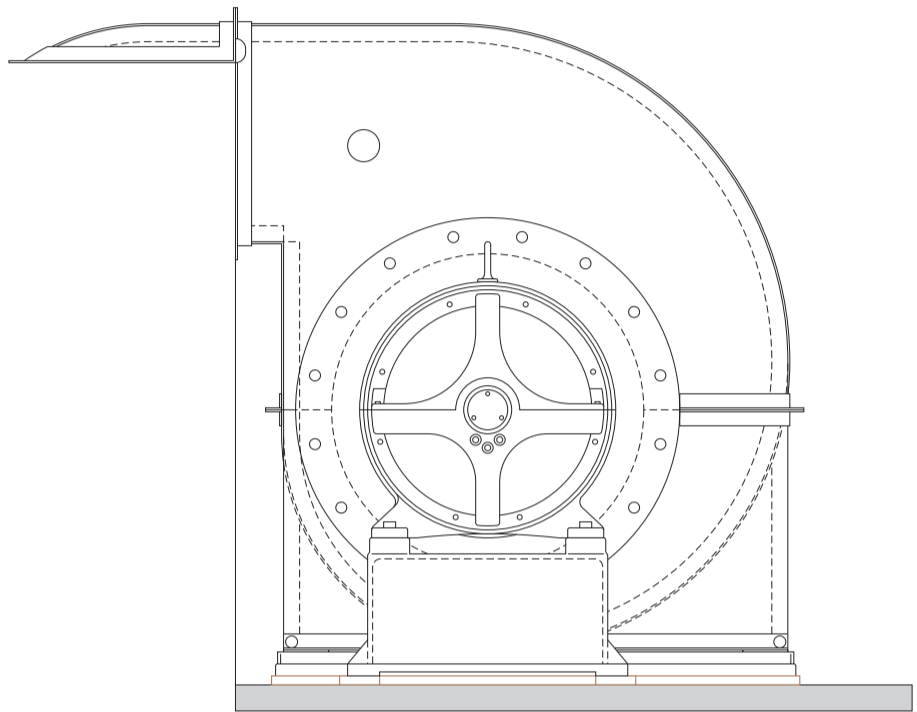
*Forward*

35" SIROCCO FAN, No H59  
S.S. "TITANIC"

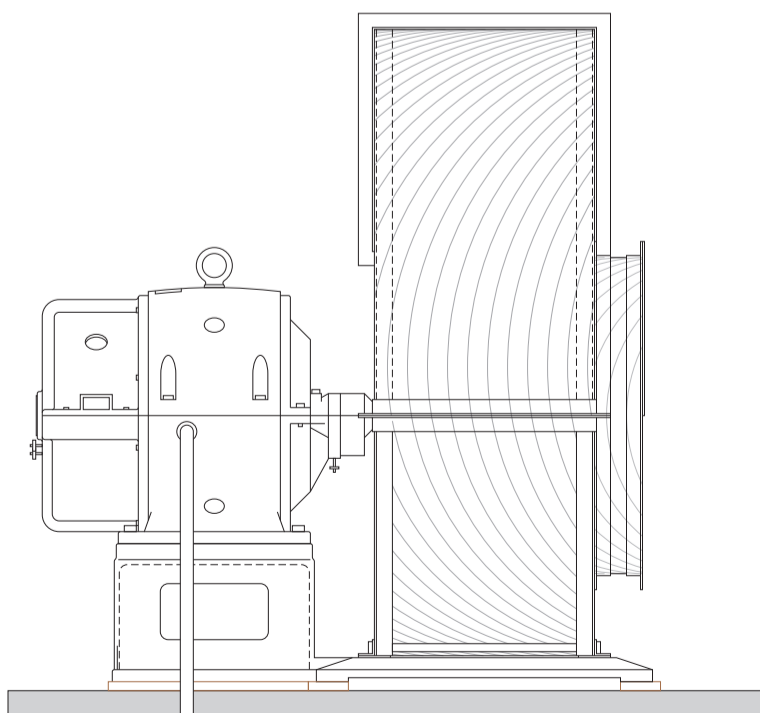
Scale 1:24



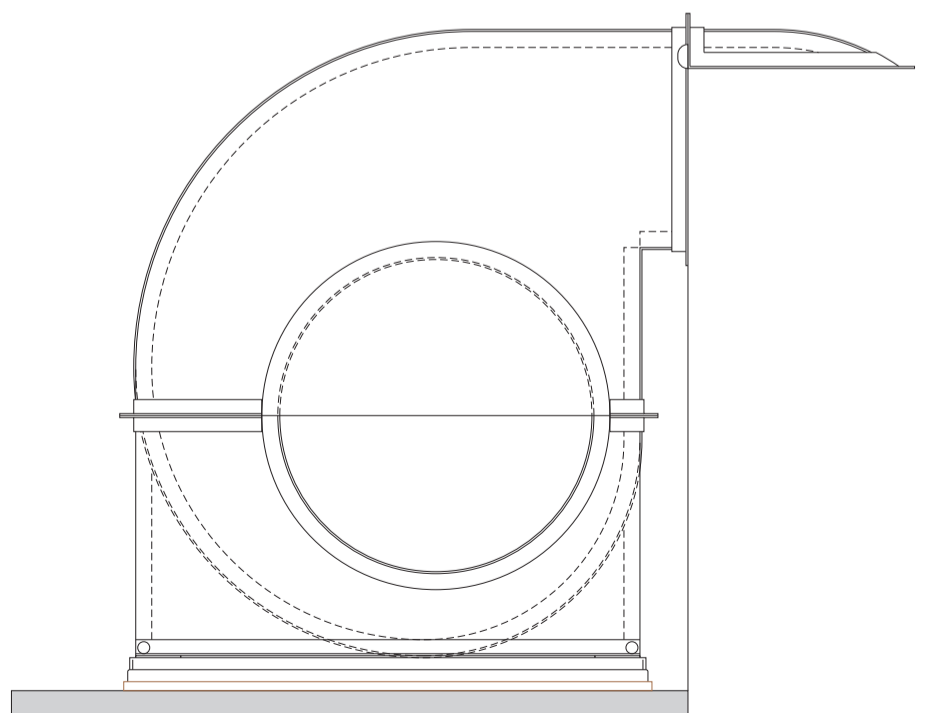
*Port*



*Aft*



*Starboard*

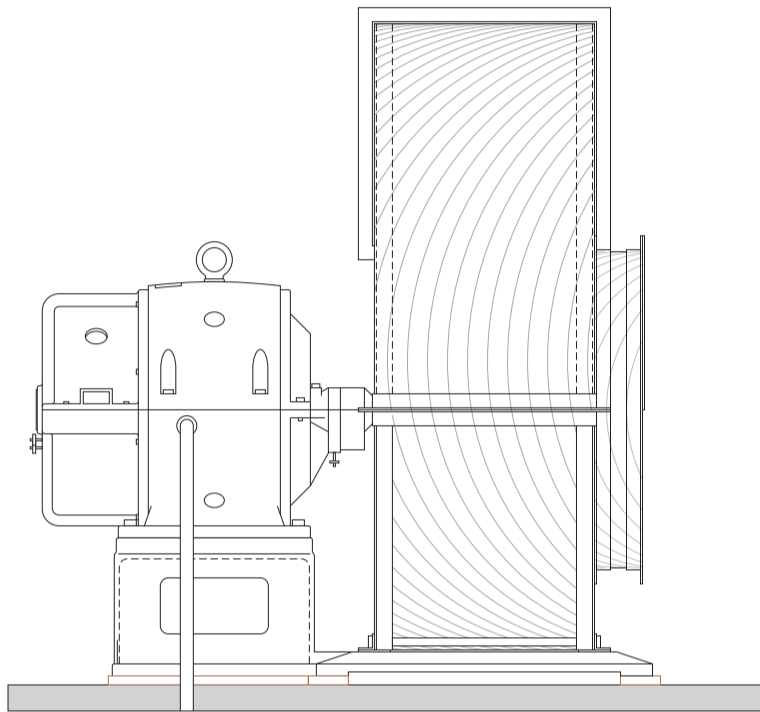


*Forward*

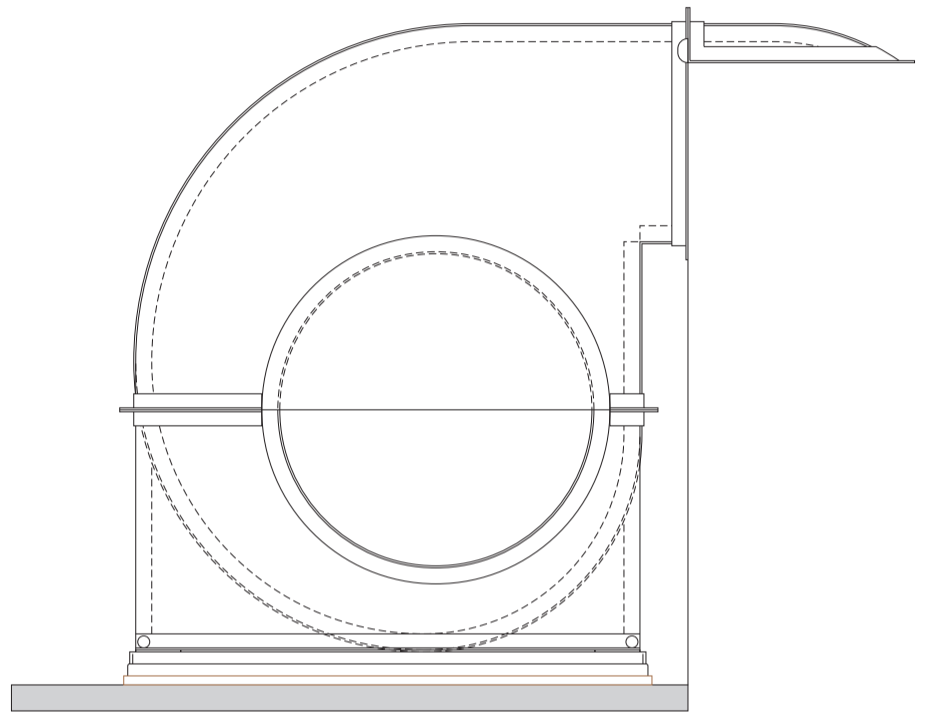
35" SIROCCO FAN, No H60

S.S. "TITANIC"

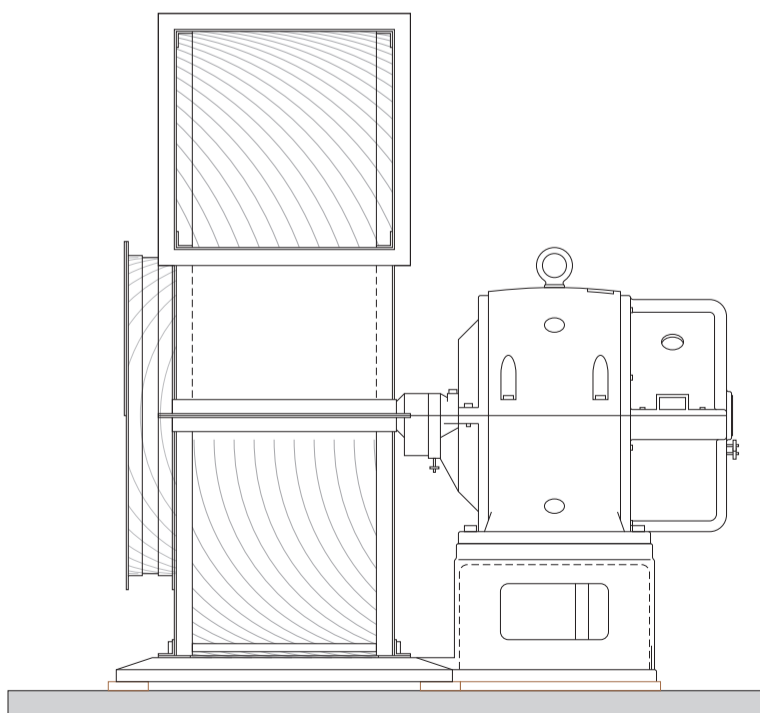
Scale 1:24



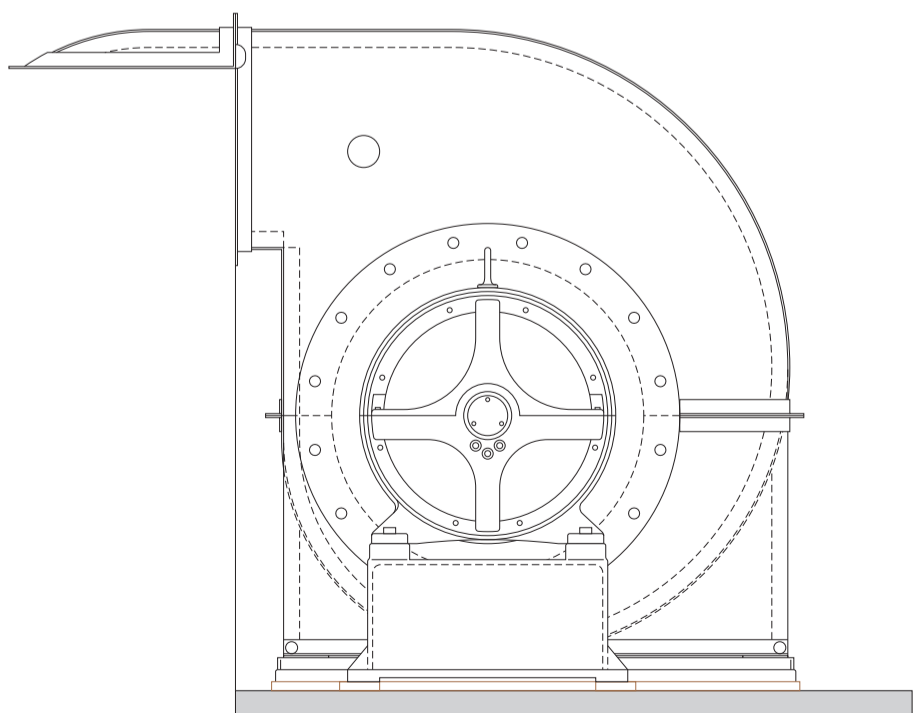
*Port*



*Aft*



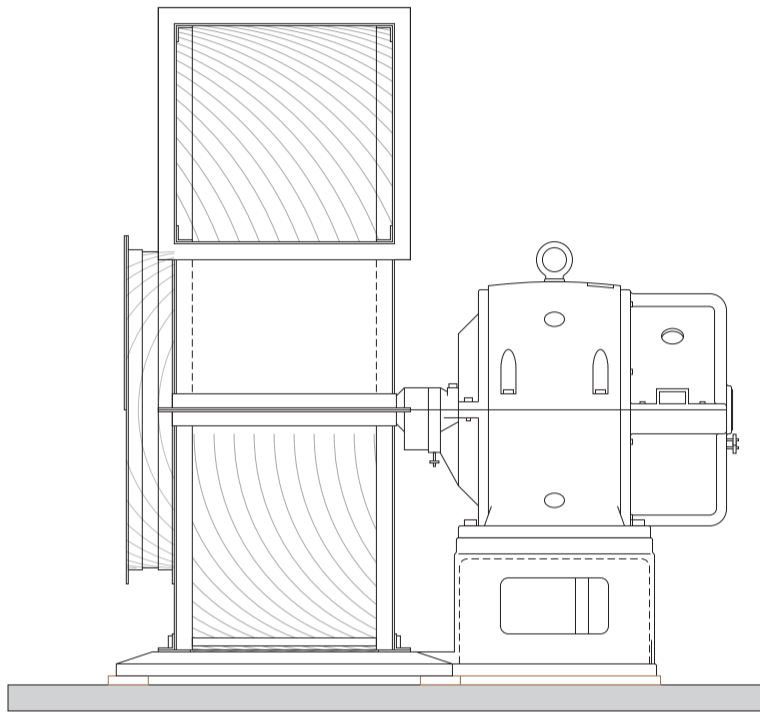
*Starboard*



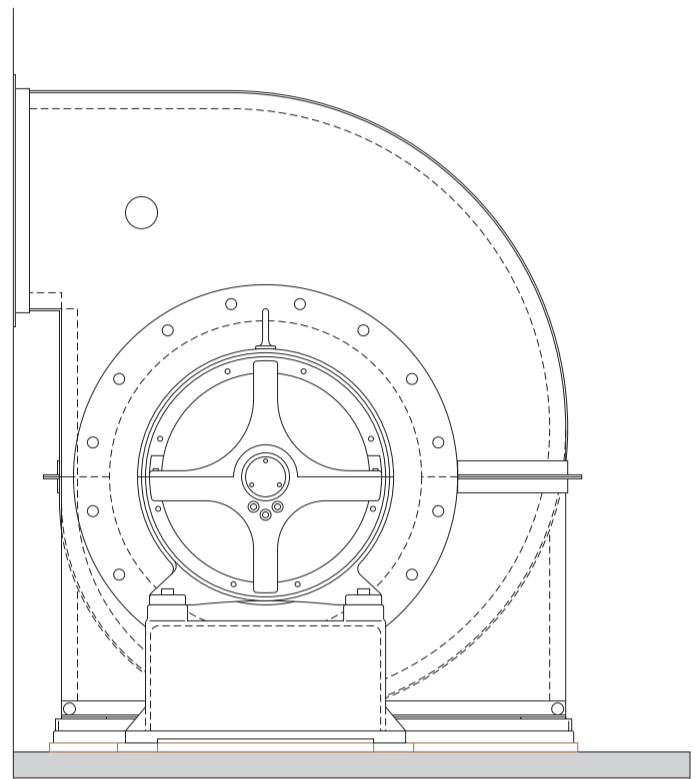
*Forward*

35" SIROCCO FAN, No H61  
S.S. "TITANIC"

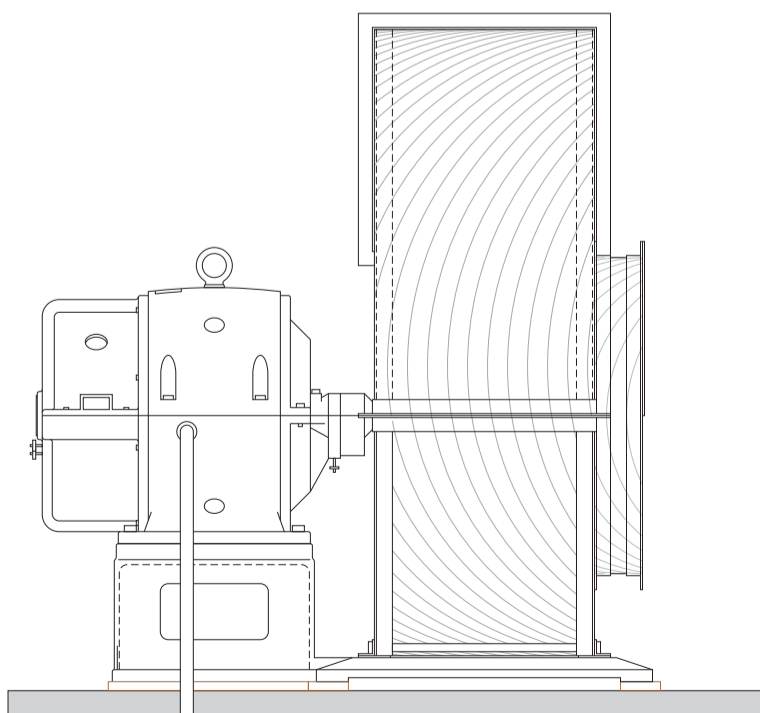
Scale 1:24



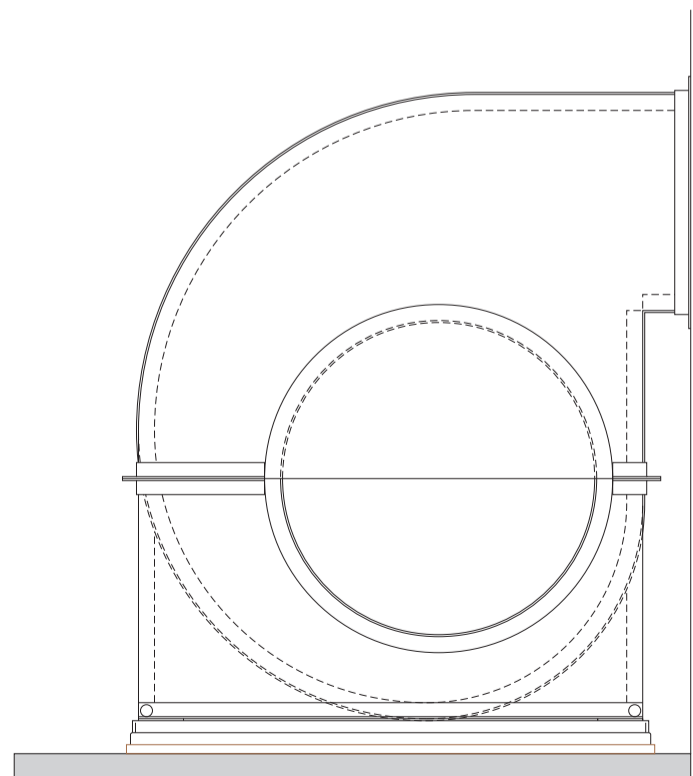
*Port*



*Aft*



*Starboard*

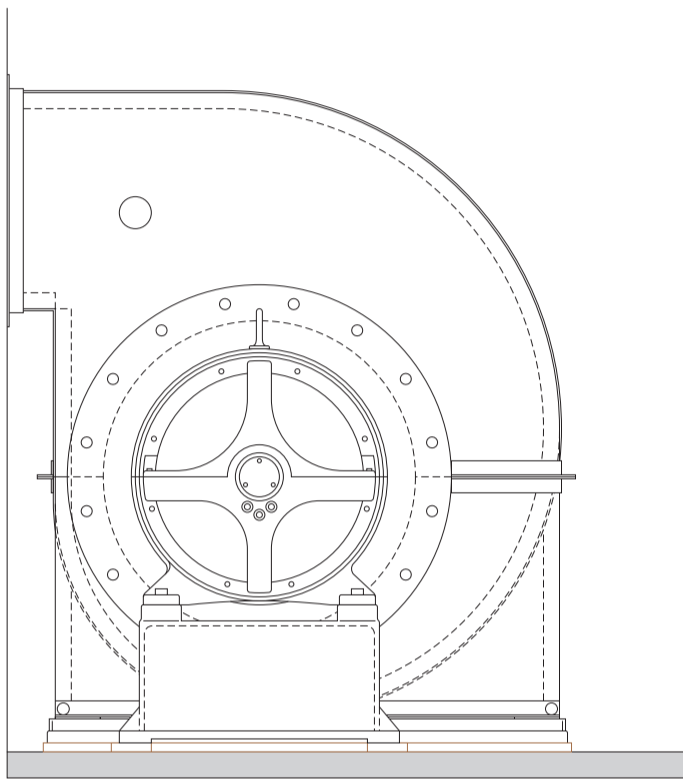


*Forward*

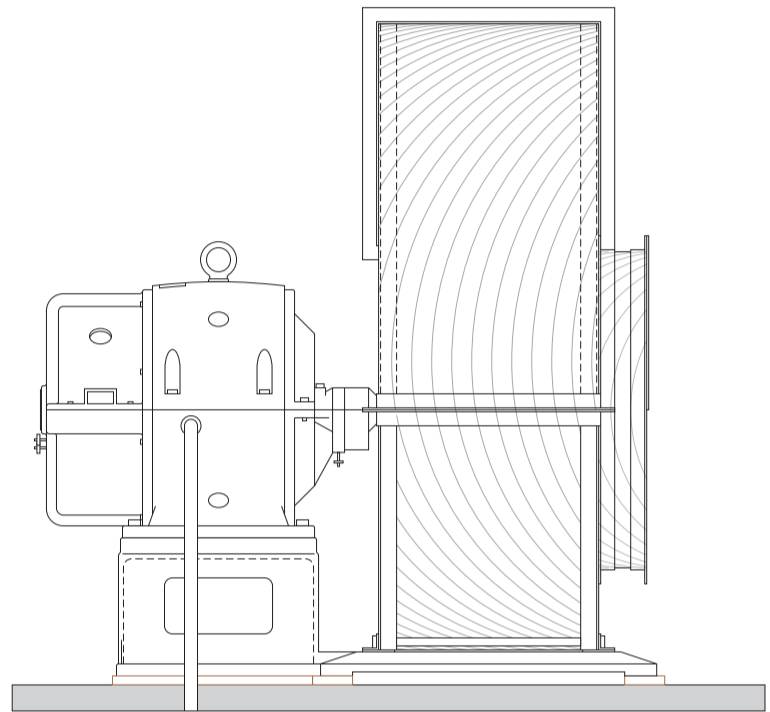
# 35" SIROCCO FAN, No H63

S.S. "TITANIC"

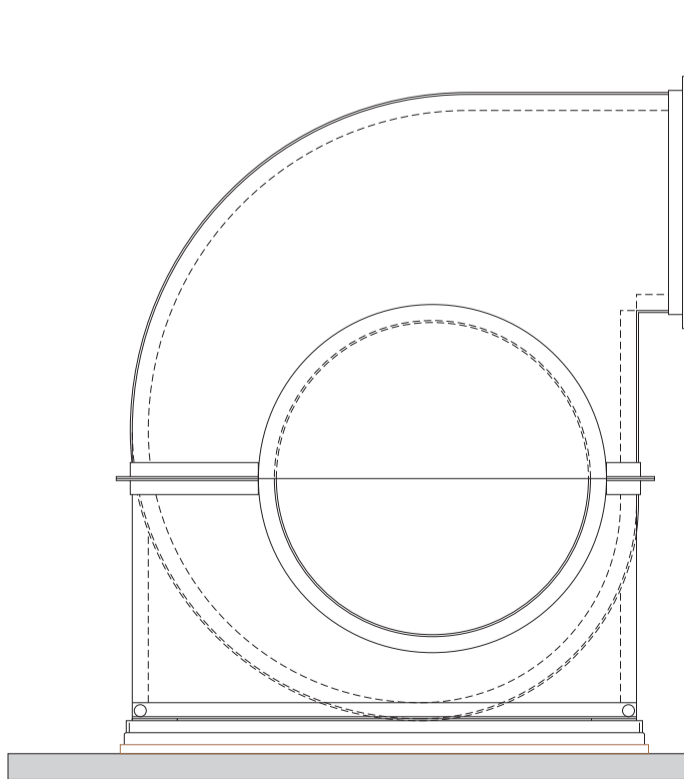
Scale 1:24



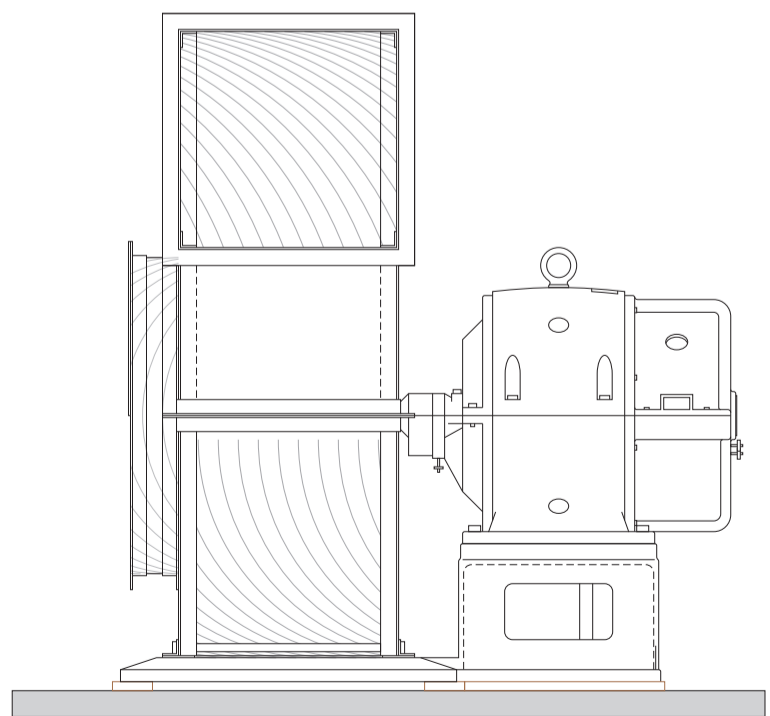
*Port*



*Aft*



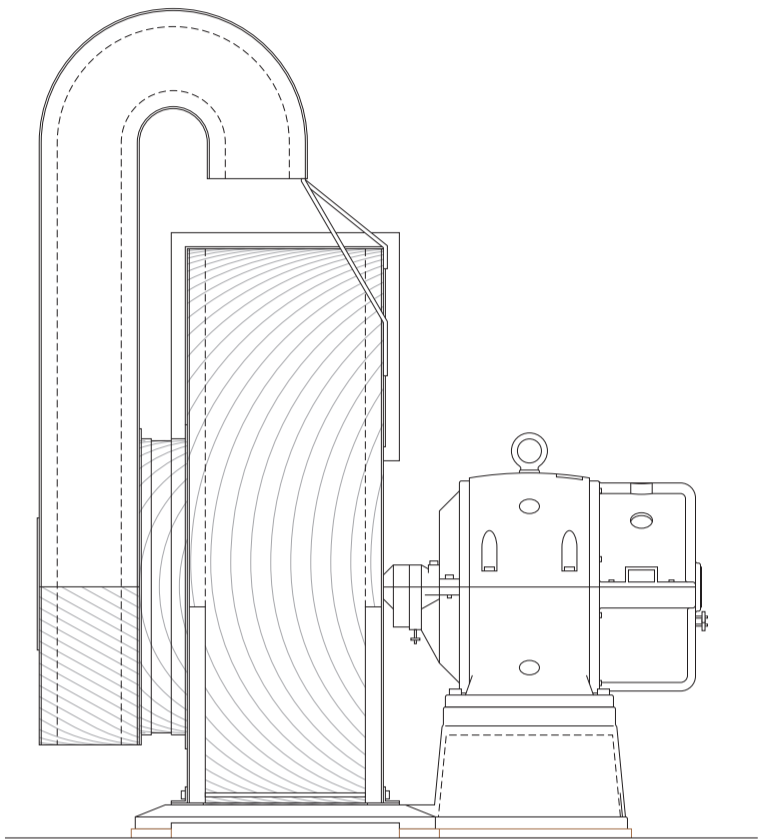
*Starboard*



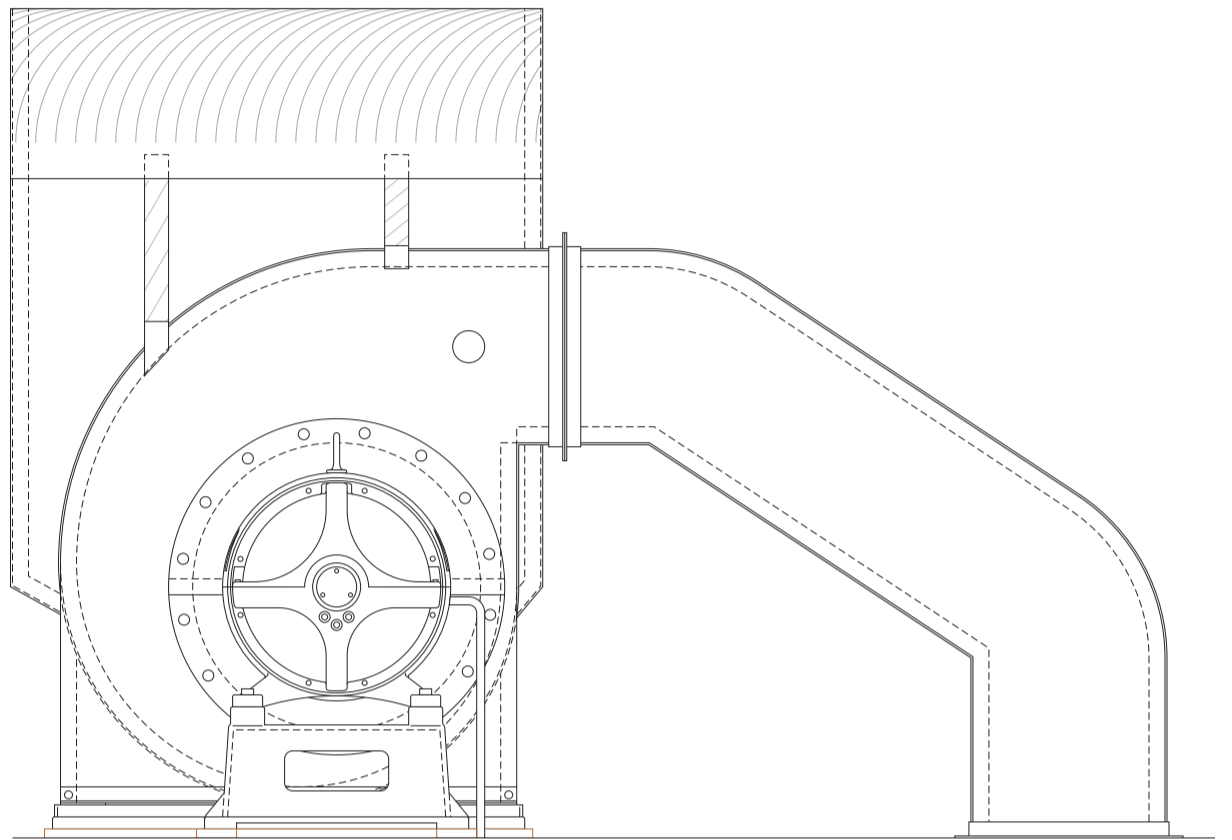
*Forward*

30" SIROCCO FAN, No H64  
S.S. "TITANIC"

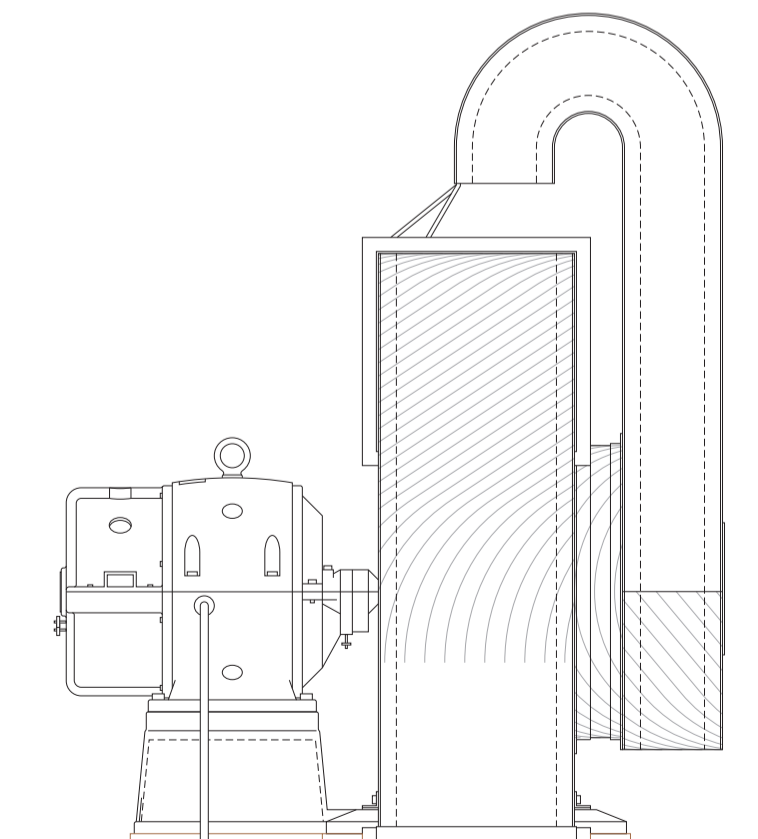
Scale 1:24



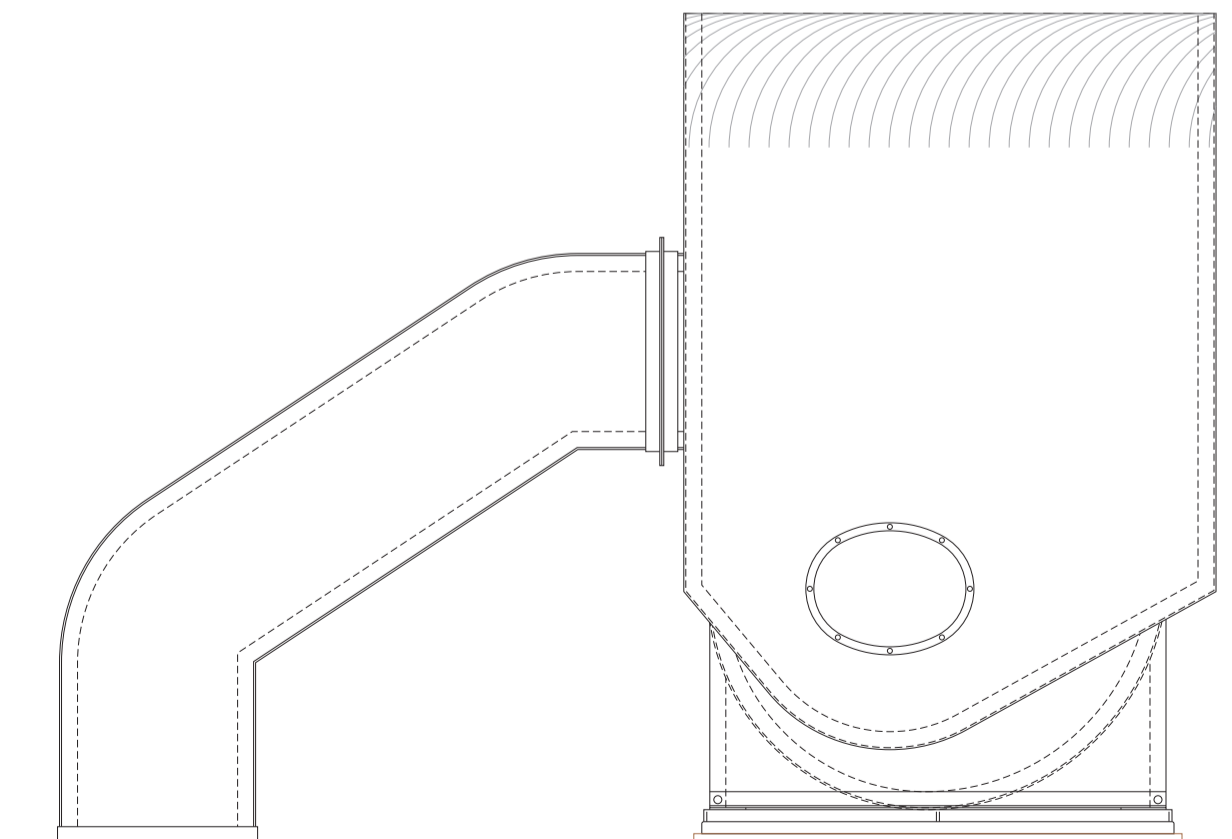
*Port*



*Aft*



*Starboard*



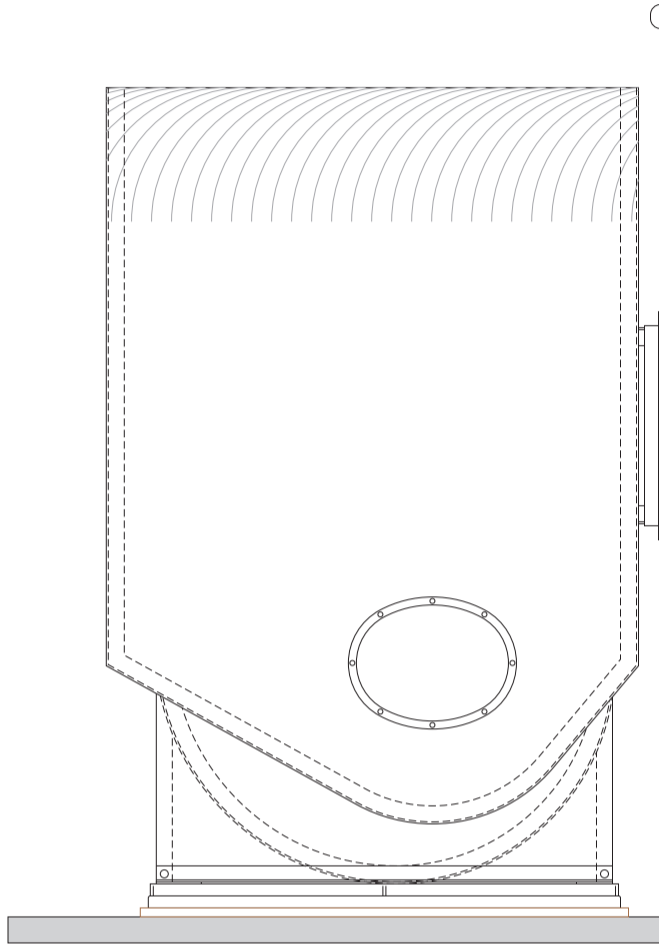
*Forward*



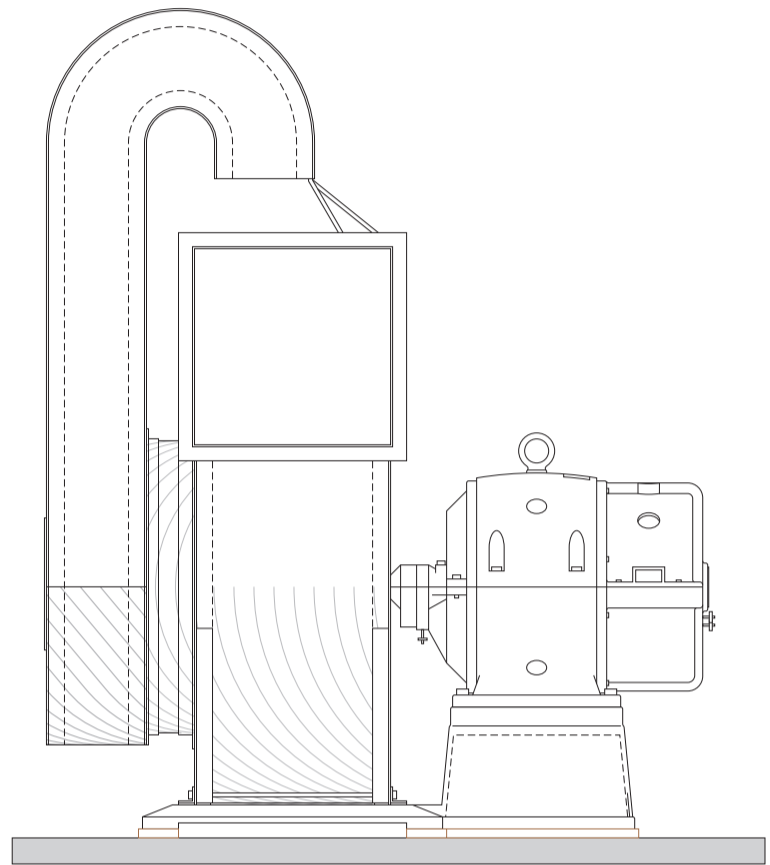
30" SIROCCO FAN, No H65

S.S. "TITANIC"

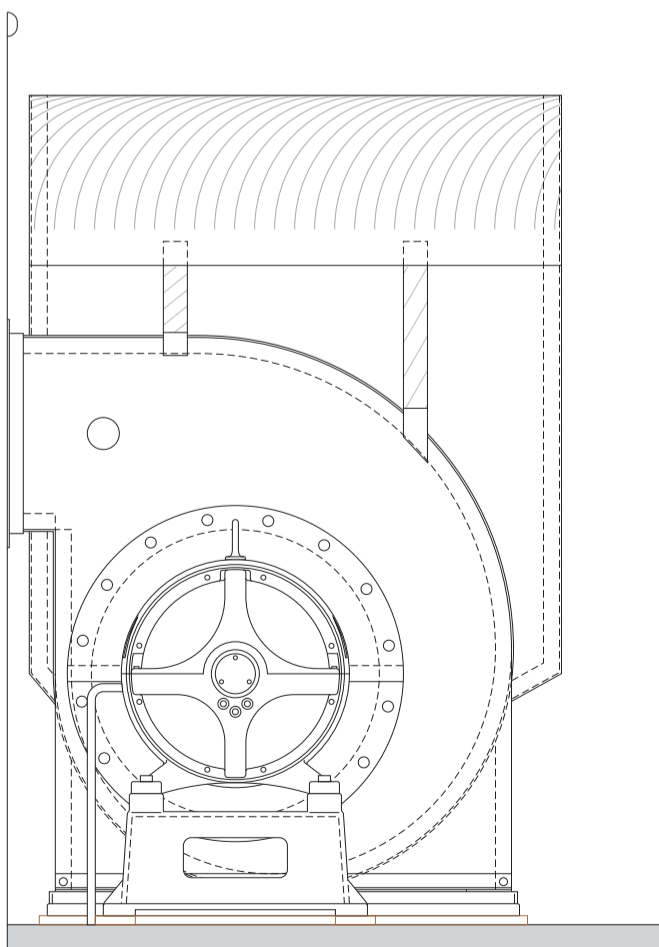
Scale 1:24



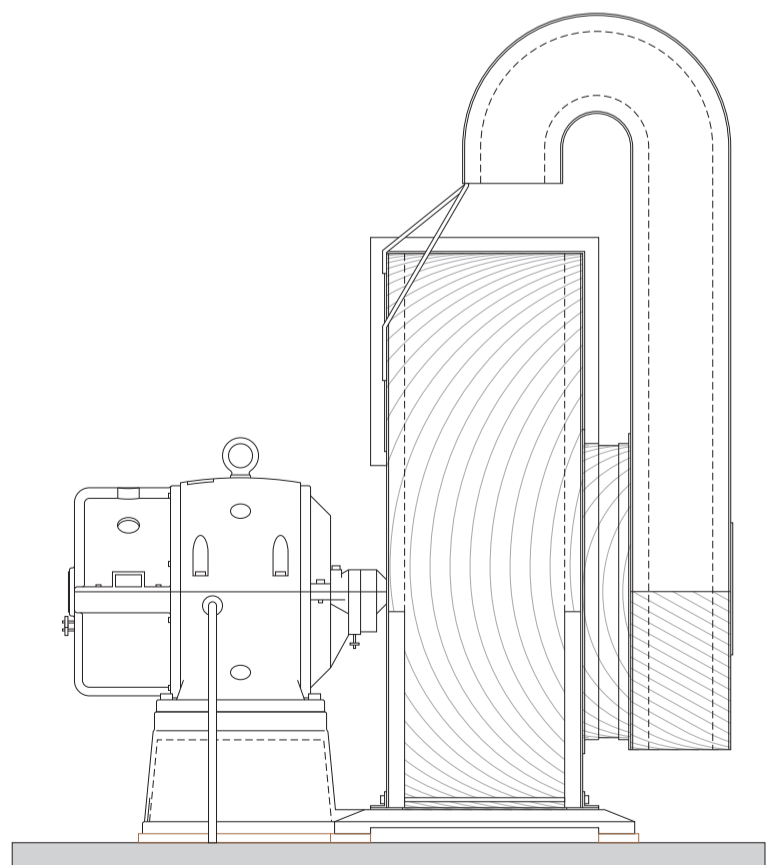
*Port*



*Aft*



*Starboard*

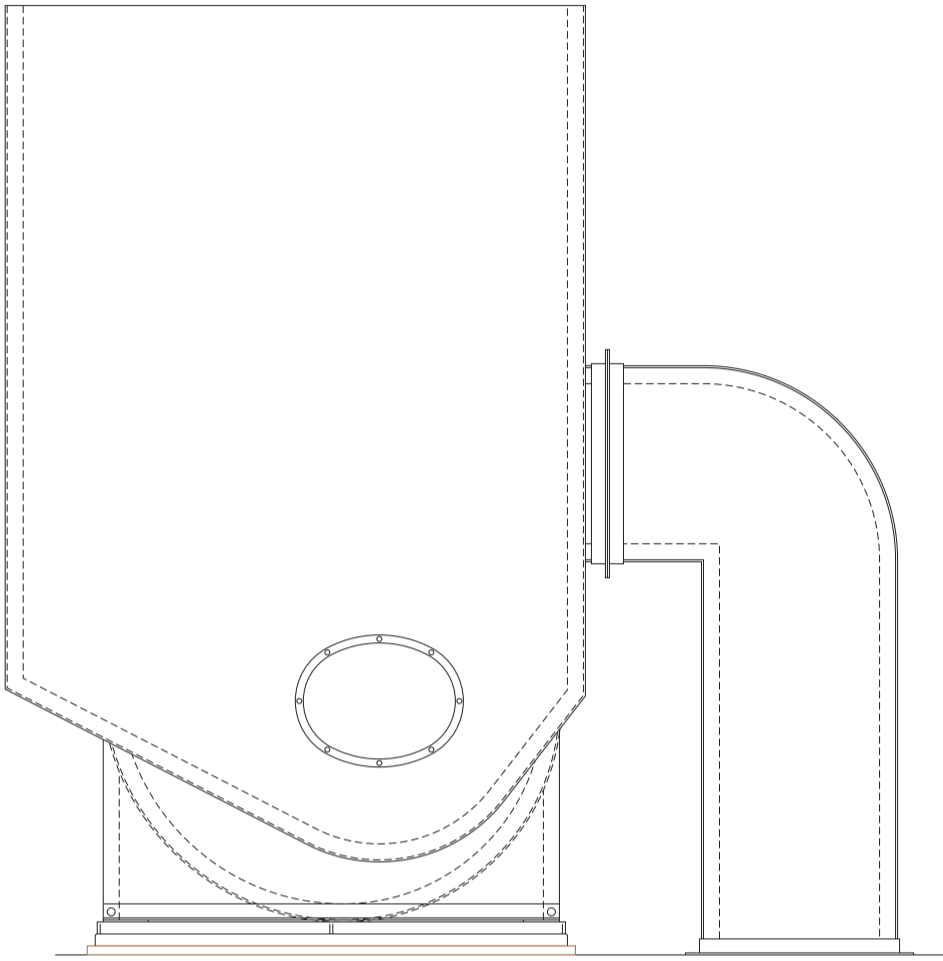


*Forward*

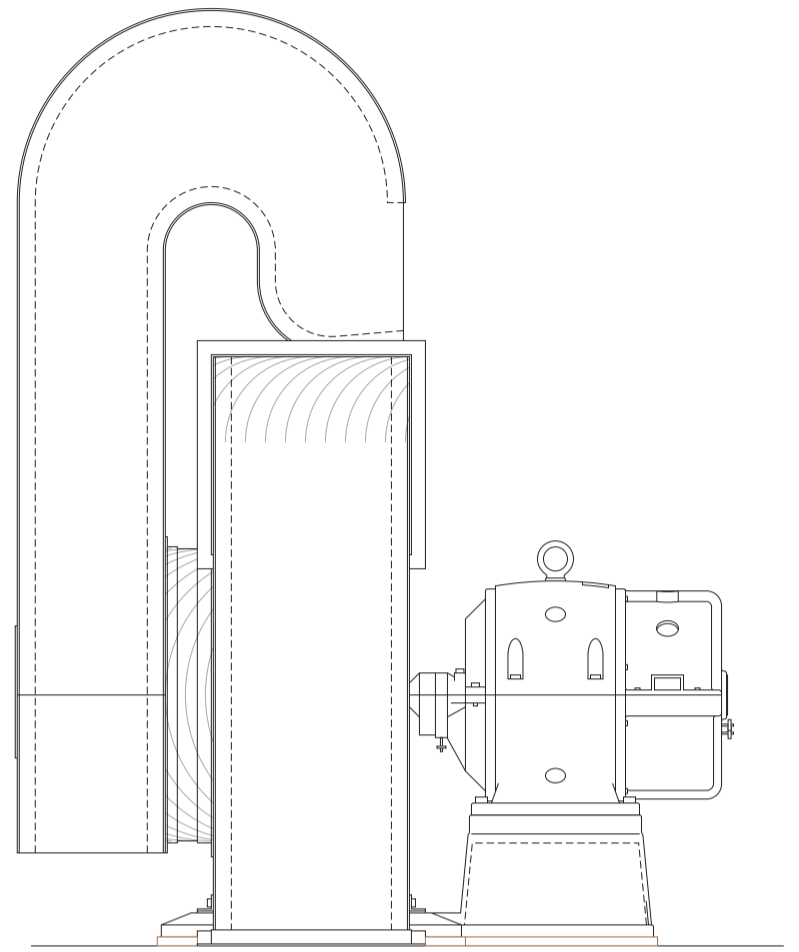
# 30" SIROCCO FAN, No H66

S.S. "TITANIC"

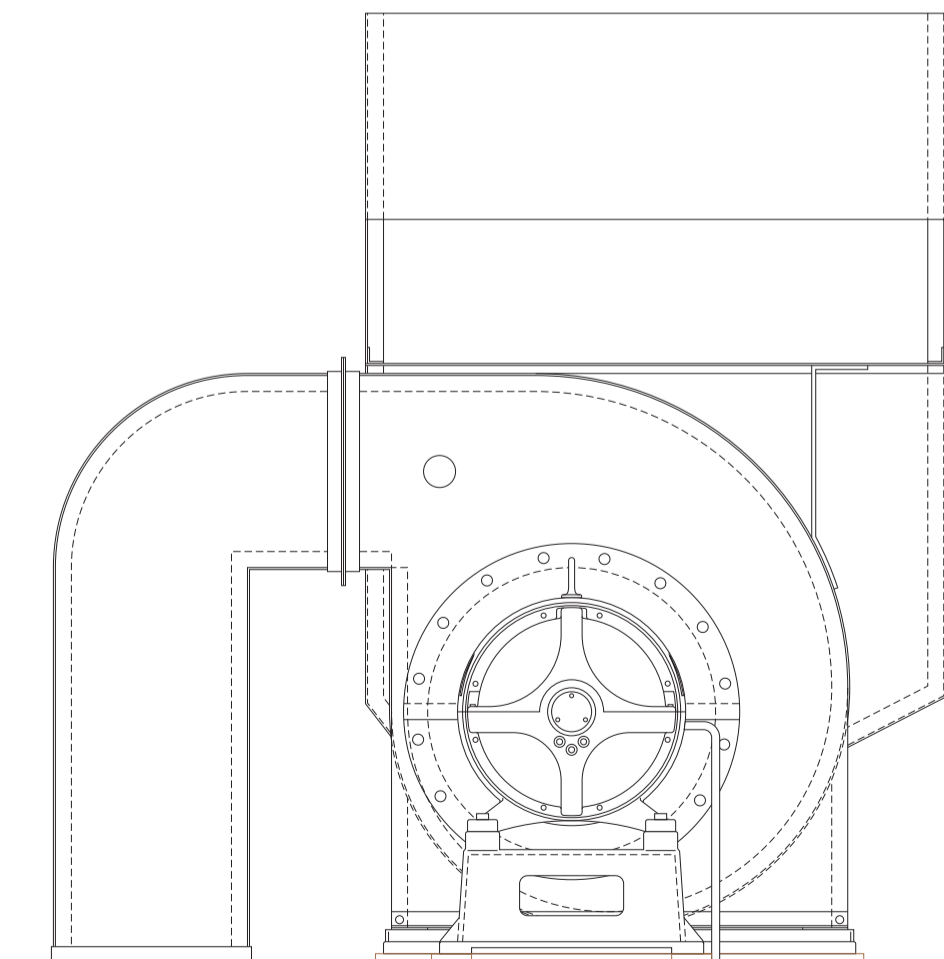
Scale 1:24



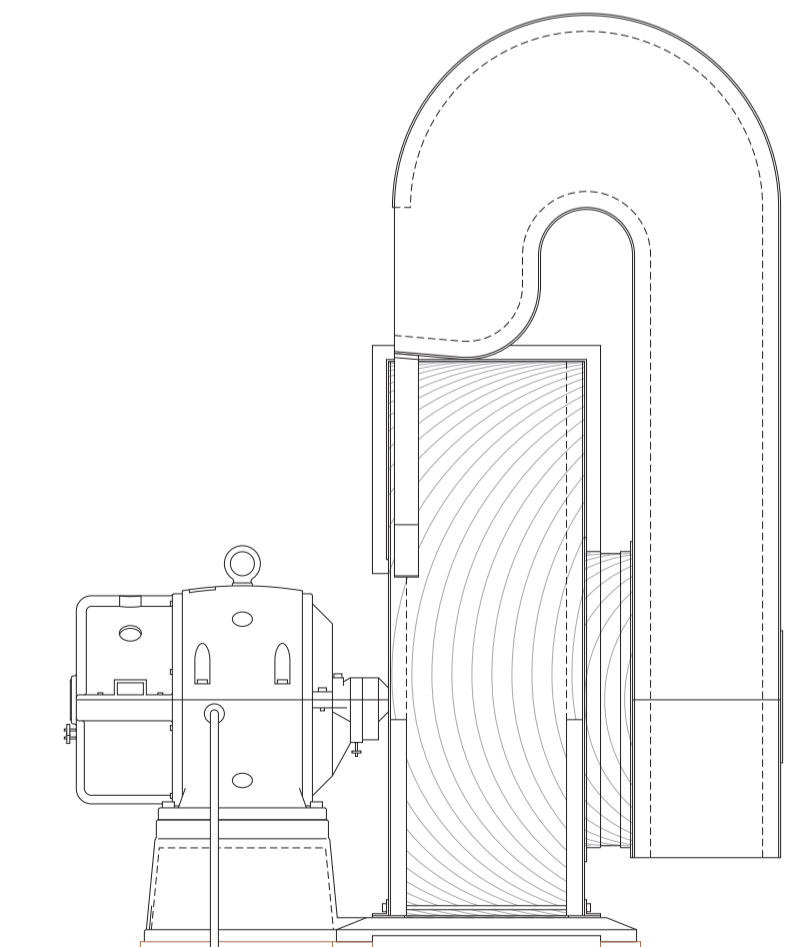
*Port*



*Aft*



*Starboard*



*Forward*